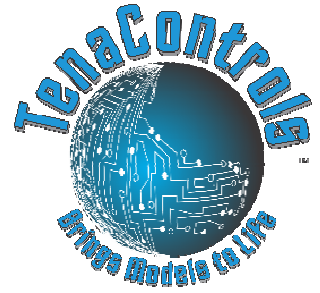


TenaControls LLC

Milford, MA 01757 U.S.A.
www.TenaControls.com

TenaControls Brings Models to Life



- WIRING DIAGRAM -

WIRING DIAGRAM OF THE 50TH ANNIVERSARY 1:350 SCALE TOS ENTERPRISE ROTATING LED FAN BLADE BOARDS AND NAVIGATION/STROBE/IMPULSE ENGINE BOARD

ITEMS YOU WILL NEED:

- Soldering Iron
- Solder
- Cutter
- Wire Stripper

To power up this lighting kit you will need a wall power adapter with 9 or 12 Volts DC output with 1 Ampere rating or better.

ITEMS INCLUDED:

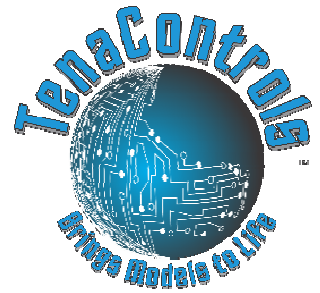
- One Normally Open Momentary Switch
- Two Rotating LED Fan Blade Boards
- One Control board for Navigation/Strobe/Impulse Engine along with it's LED's Wiring Instructions

Important Notice:

Make sure that like-colored wires from each board connect correctly to each other or you will damage the boards.

TenaControls LLC

Milford, MA 01757 U.S.A.
www.TenaControls.com



TenaControls Brings Models to Life

***A digital version of this Manual can be requested via email: ***
sales@tenacontrols.com

Refer to the Master Wiring Diagram included in this manual for all external connections to the circuit boards. See included pictures as a guide on assembly.

IMPORTANT!

Please review the below video link, as it will assist you in the wiring of the LED's to their respective locations. Additionally, TenaControls has pre-wired the enclosed LED's for your convenience.

www.youtube.com/watch?v=jpEKAYIWMTM

- INSTRUCTIONS -

First, connect the Red wire from the Clock Wise Rotating LED Fan Blade Board to the Red wire from the Counter Clock Wise Rotating LED Fan Blade Board.

Connect the Black wire from the Clock Wise Rotating LED Fan Blade Board to the Black wire from the Counter Clock Wise Rotating LED Fan Blade Board

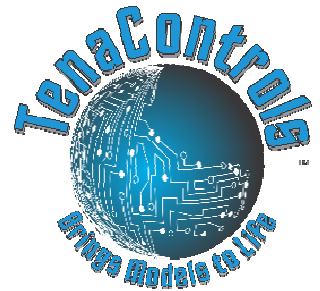
Connect the Yellow wire from the Clock Wise Rotating LED Fan Blade Board to the Yellow wire from the Counter Clock Wise Rotating LED Fan Blade Board.

Then, connect one side of the momentary switch to the two Yellow wires and the other side of the momentary switch to the two Black wires.

TenaControls LLC

Milford, MA 01757 U.S.A.

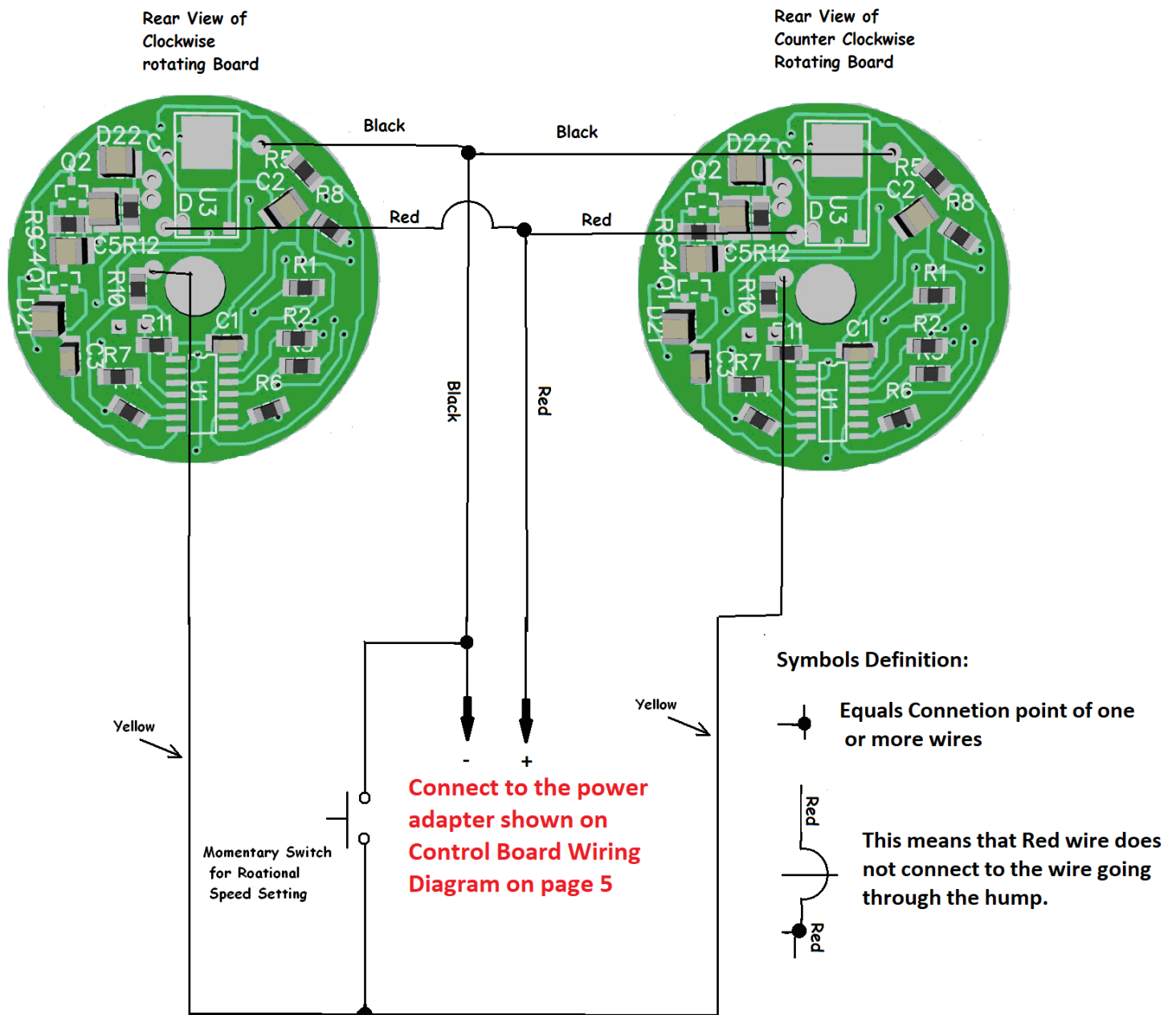
www.TenaControls.com



TenaControls Brings Models to Life

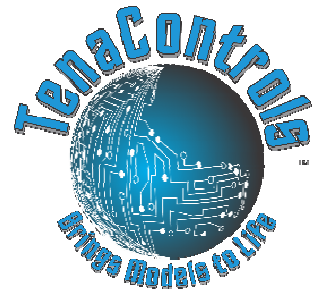
Now, connect the Black wire from the battery clip to the Black wires and connect the Red wire from the battery clip to the Red wires.

WIRING DIAGRAM FOR ROTATING LED FAN BOARDS:



TenaControls LLC

Milford, MA 01757 U.S.A.
www.TenaControls.com



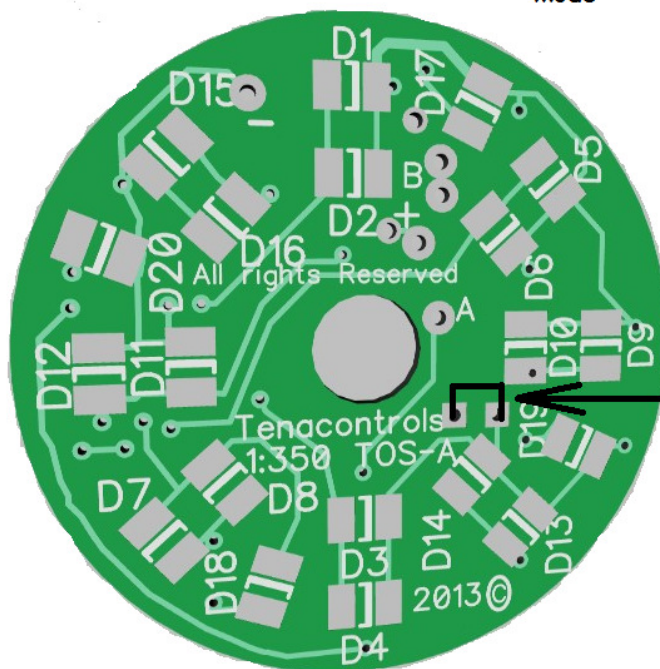
TenaControls Brings Models to Life

The below picture shows the location of the jumper on each of the “Rotating LED Fan Boards”, that sets the Negative or Positive LED light mode. Boards will be shipped factory set with the jumper in place for Positive light mode. For Negative light mode, just **cut** the jumper on each board.

Jumper in = Positive
Jumper out = Negative

Front View of
LED rotating
boards

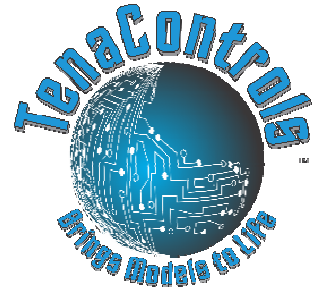
This is the jumper which sets
the positive or negative light
mode



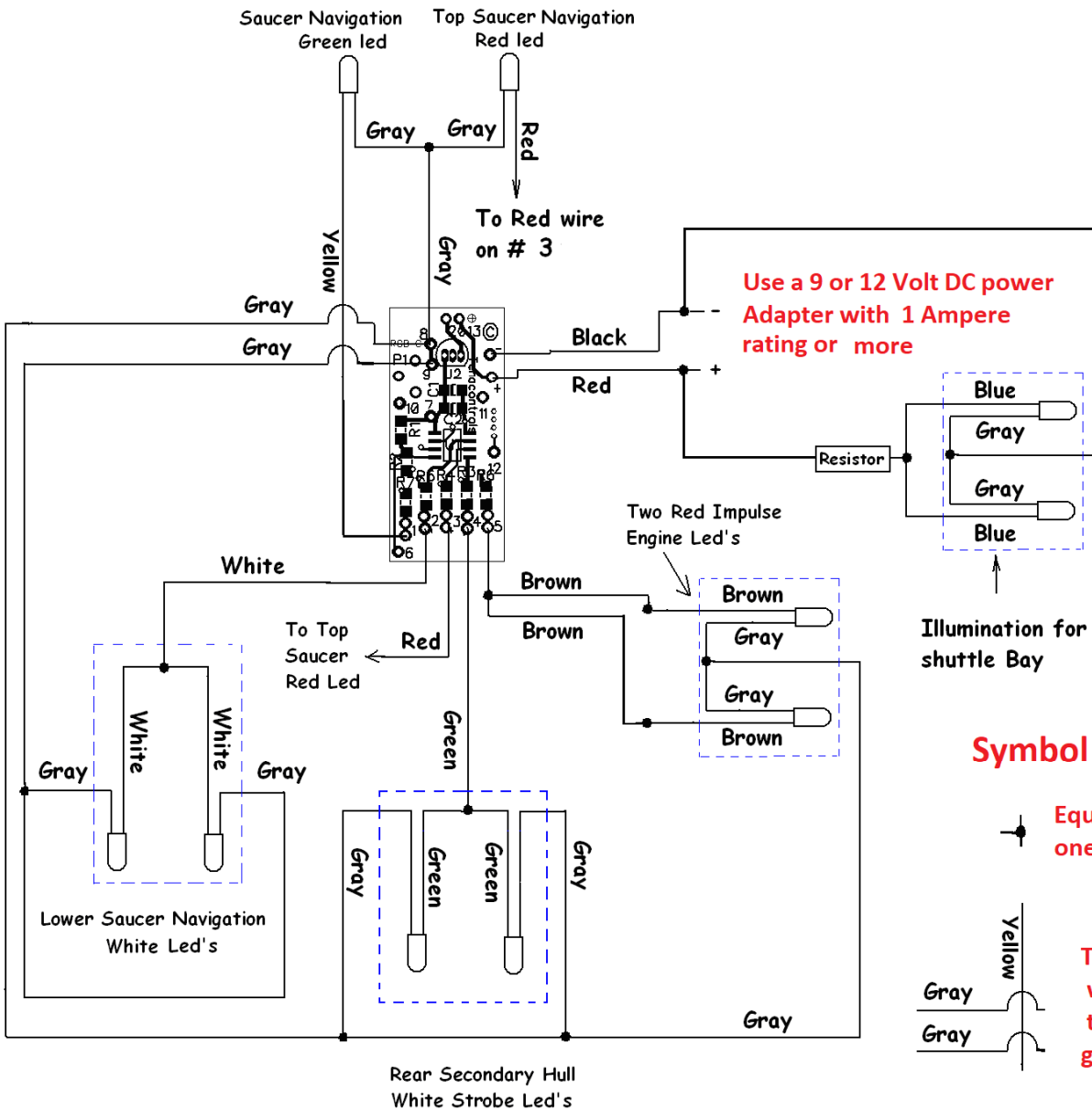
TenaControls LLC

Milford, MA 01757 U.S.A.
www.TenaControls.com

TenaControls Brings Models to Life



WIRING DIAGRAM FOR NAVIGATION/STROBE/IMPULSE ENGINE BOARD:



Symbol Definition:

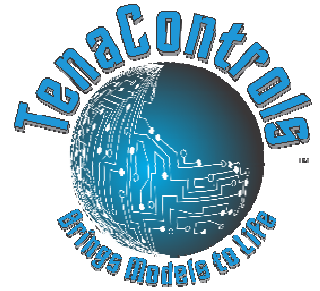
Equals Connection point of one or more wires

This means the Gray wires do not connect to the Yellow wire going through the hump

TenaControls LLC

Milford, MA 01757 U.S.A.
www.TenaControls.com

TenaControls Brings Models to Life



Warranty

TenaControls LLC warrants that the control boards sold meet TenaControls specifications and are adequately contained, packaged and labeled and conform to the promises and affirmations of fact made on the container and label. THE FOREGOING WARRANTIES ARE EXCLUSIVE, AND ARE IN LIEU OF ALL OTHER WARRANTIES (WHETHER WRITTEN, ORAL OR IMPLIED) INCLUDING WARRANTY OR MERCHANTABILITY IN OTHER RESPECTS THAN EXPRESSLY SET FORTH ABOVE AND WARRANTY OF FITNESS FOR A PARTICULAR PURPOSE.

In the event that there is a breach of express warranty by the manufacturer made in connection with the purchase of this product, if any, the sole remedy of any buyer shall be to return the product along with original sales receipt, at **buyer's expense** for repair (or replacement of the product if repair is impossible) to the manufacturer's facility in the Commonwealth of Massachusetts, located at 22 Hancock Street, Milford, MA 01757. Some states do not allow the exclusion or limitation of any incidental or consequential damages, so the above limitation may not apply to you. Nothing herein contained shall be construed to be a waiver by the manufacturer of any of the obligations imposed upon said buyer under the laws of the Commonwealth of Massachusetts except as herein specifically stated.

This warranty is enforceable only by the buyer of the product or a person in the buyer's immediate family. This warranty is enforceable for a period of **FIVE YEARS** from the date of purchase. Some states do not allow limitations on how long an implied warranty lasts, so the above warranty may not apply to you. This warranty gives you specific legal rights and you may also have other rights which vary from state to state.

Warranty Void if:

- A) Product is altered in any way.
- B) Used for other than its intended use.
- C) Buyer mishandling.