

**TenaControls Brings Models to Life**

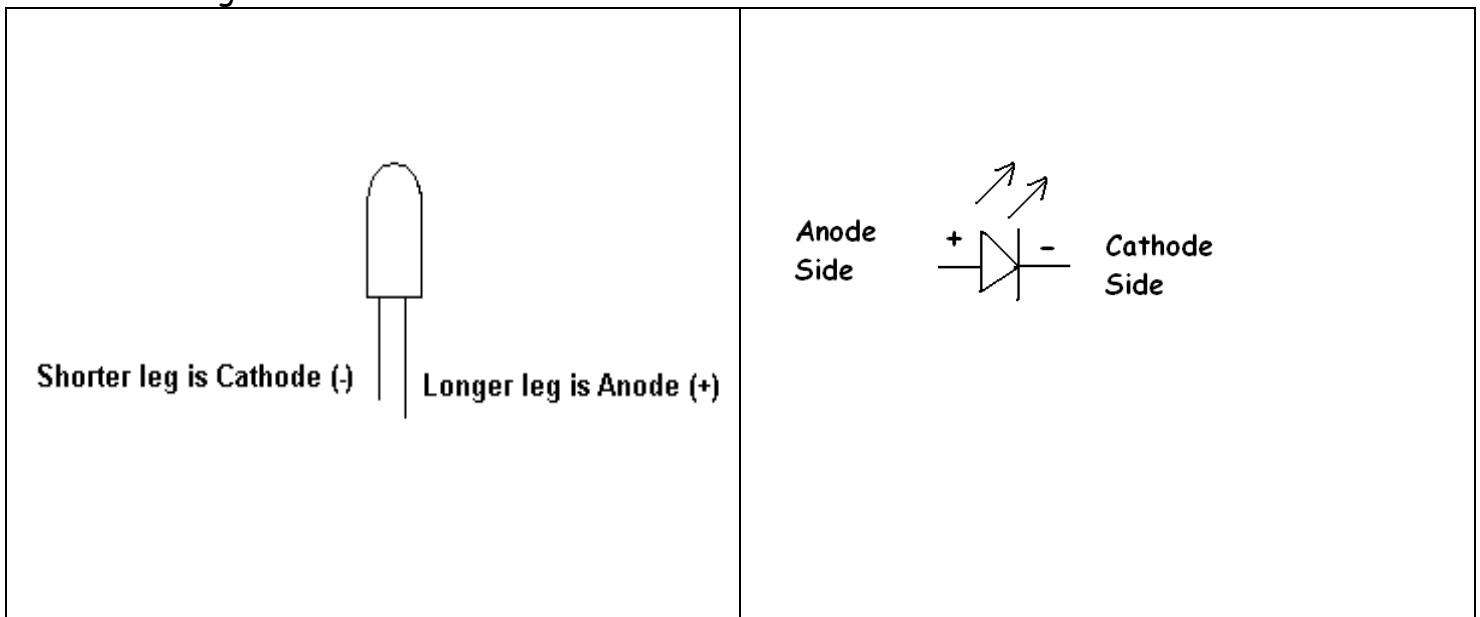
## Instructions for Model: INVUFO-AA Lighting kit to be used in the INVADERS UFO 1:72 scale, made by Atlantis

This unit is completely assembled and tested. Just plug in the 9 volt battery (not included) and the unit turns on. Then swipe the magnet across the Momentary Speed Adjustment Magnetic Switch to set the different speeds.

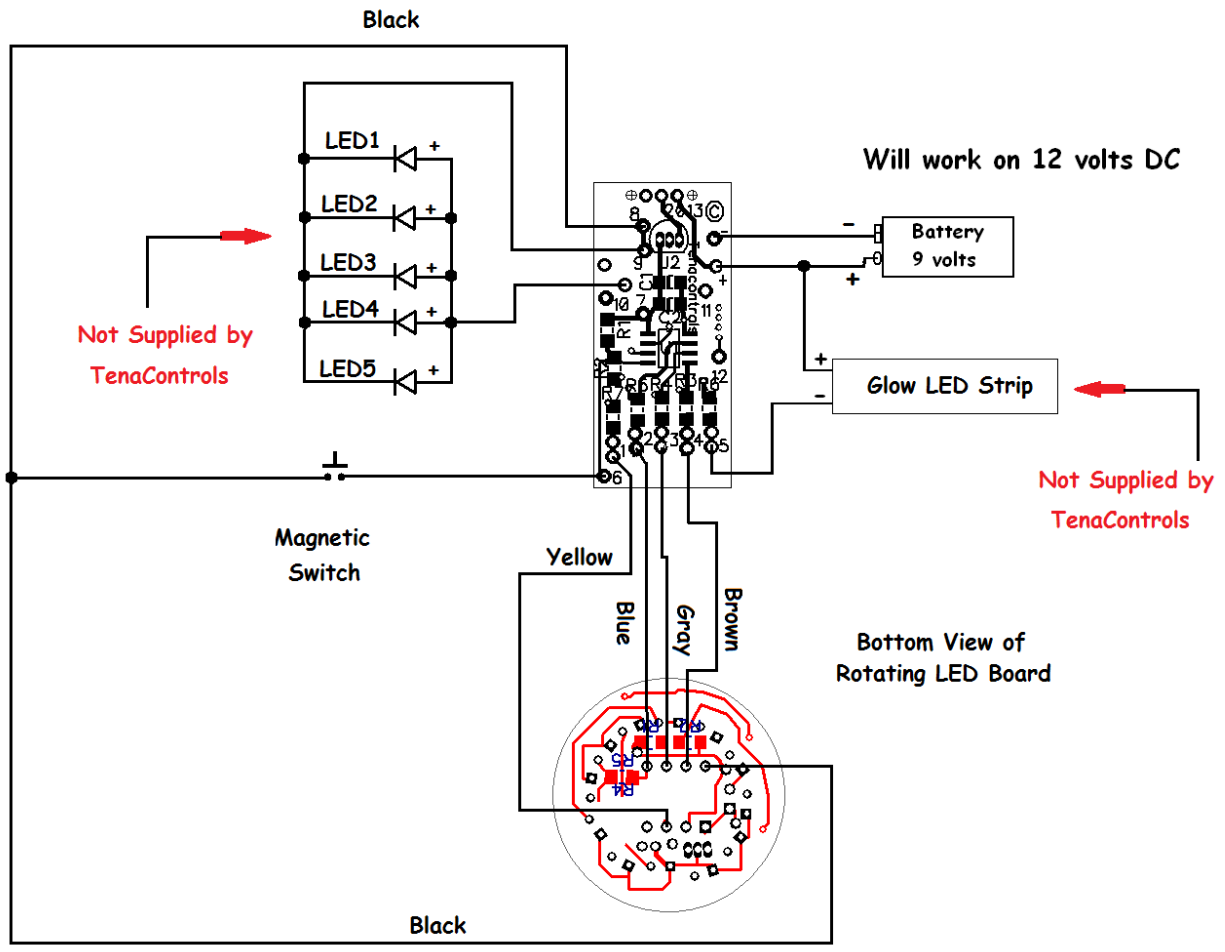
In case you accidentally break one of the wires, the below picture will show you which wire connects to a particular component. This light kit was originally made for Boyd Crompton, you can visit his Youtube Channel, Trekworks to get some additional information on how he assembled it into the saucer.

**NOTE:** TenaControls will not be supplying the GLOW LED Strip for the bottom glow effect due to different preferences by modelers as well as the Five Pod steady on LED's on the saucer bottom for the same reason. Although we have provided a way for you to easily attach your own same color Five Pod steady on LED's on the saucer bottom, see below wiring diagram.

How to distinguish an led:



TenaControls Brings Models to Life



**TenaControls Brings Models to Life****Warranty**

TenaControls LLC warrants that the control boards sold meet TenaControls specifications and are adequately contained, packaged and labeled and conform to the promises and affirmations of fact made on the container and label. THE FOREGOING WARRANTIES ARE EXCLUSIVE, AND ARE IN LIEU OF ALL OTHER WARRANTIES (WHETHER WRITTEN, ORAL OR IMPLIED) INCLUDING WARRANTY OR MERCHANTABILITY IN OTHER RESPECTS THAN EXPRESSLY SET FORTH ABOVE AND WARRANTY OF FITNESS FOR A PARTICULAR PURPOSE.

In the event that there is a breach of express warranty by the manufacturer made in connection with the purchase of this product, if any, the sole remedy of any buyer shall be to return the product along with original sales receipt, at **buyer's expense** for repair (or replacement of the product if repair is impossible) to the manufacturer's facility in the Commonwealth of Massachusetts, located at 22 Hancock Street, Milford, MA 01757. Some states do not allow the exclusion or limitation of any incidental or consequential damages, so the above limitation may not apply to you. Nothing herein contained shall be construed to be a waiver by the manufacturer of any of the obligations imposed upon said buyer under the laws of the Commonwealth of Massachusetts except as herein specifically stated.

This warranty is enforceable only by the buyer of the product or a person in the buyer's immediate family. This warranty is enforceable for a period of **FIVE YEARS** from the date of purchase. Some states do not allow limitations on how long an implied warranty lasts, so the above warranty may not apply to you. This warranty gives you specific legal rights and you may also have other rights which vary from state to state.

**Warranty Void if:**

- A) Product is altered in any way.
- B) Used for other than its intended use.
- C) Buyer mishandling.