

TenaControls Brings Models to Life

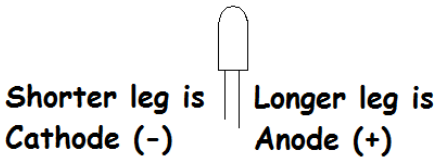
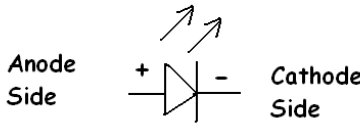
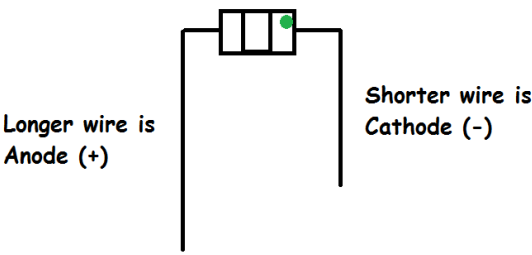
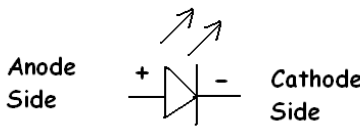
### Wiring diagram of the MDMX-A board for the Mad Max Interceptor

Items you will need: Soldering Iron, solder, cutter and wire stripper.

Refer to the master wiring diagram shown below for all external connections to the circuit board.

\*\*\*A digital version of this Manual can be requested, email, [sales@tenacontrols.com](mailto:sales@tenacontrols.com) \*\*\*

How to distinguish a standard led and SMD type:

 <p>Shorter leg is Cathode (-) Longer leg is Anode (+)</p>	 <p>Anode Side + Cathode Side -</p>
 <p>Longer wire is Anode (+) Shorter wire is Cathode (-)</p>	 <p>Anode Side + Cathode Side -</p>

Please review Boyd Crompton's build of the Interceptor at his Trekworx Youtube channel. Below I have shown how you can connect up the headlights, taillights and radio light.

LED4 -LED5 are White 3mm used for head lights. A resistor must be used in series with the two LED's.

LED6 -LED7 are White SMD used for tail lights. No external resistor is needed as it is prewired to the SMDs.

LED8 is a White SMD used for radio lights. No external resistor is needed as it is prewired to the SMDs.

**LEFT SIDE DRIVE LIGHT WIG WAG**

1. **LED 2 is White, Double Strobe.** Connect Anode (+) of LED2 to location #2 on pc board, then connect the Cathode (-) of LED2 to location #8 on pc board. See below in the master wiring diagram.

**RIGHT SIDE DRIVE LIGHT WIG WAG**

2. **LED 3 is White, Double Strobe.** Connect Anode (+) of LED3 to location #3 on pc board, then connect the Cathode (-) of LED3 to location #8 on pc board. See below in the master wiring diagram.

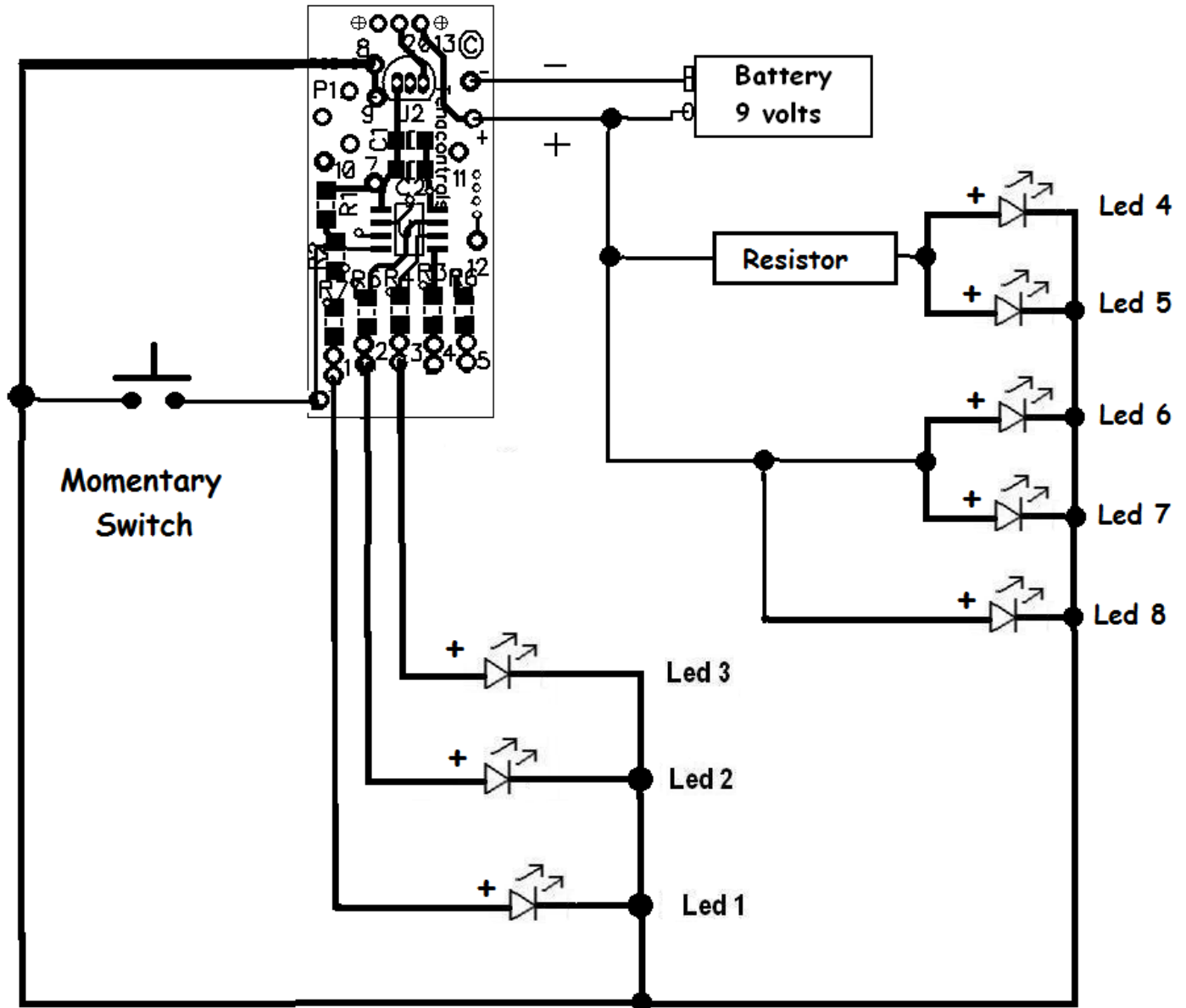
**INTERIOR POLICE BEACON LIGHT**

3. **LED 1 is Blue, Quick Strobe.** Connect Anode (+) of LED1 to location #1 on pc board, then connect the Cathode (-) of LED1 to location #8 on pc board. See below in the master wiring diagram.
4. **Momentary Switch.** Connect one side to location #6 on pc board, and the other side connect to location #8 on pc board. See below in the master wiring diagram. This switch turns the above LED functions on or off.

TenaControls Brings Models to Life

Master Wiring Diagram

Will work on 12 volts DC



## Warranty

TenaControls LLC warrants that the control boards sold meet TenaControls specifications and are adequately contained, packaged and labeled and conform to the promises and affirmations of fact made on the container and label. THE FOREGOING WARRANTIES ARE EXCLUSIVE, AND ARE IN LIEU OF ALL OTHER WARRANTIES (WHETHER WRITTEN, ORAL OR IMPLIED) INCLUDING WARRANTY OR MERCHANTABILITY IN OTHER RESPECTS THAN EXPRESSLY SET FORTH ABOVE AND WARRANTY OF FITNESS FOR A PARTICULAR PURPOSE.

In the event that there is a breach of express warranty by the manufacturer made in connection with the purchase of this product, if any, the sole remedy of any buyer shall be to return the product along with original sales receipt, at **buyer's expense** for repair (or replacement of the product if repair is impossible) to the manufacturer's facility in the Commonwealth of Massachusetts, located at 22 Hancock Street, Milford, MA 01757. Some states do not allow the exclusion or limitation of any incidental or consequential damages, so the above limitation may not apply to you. Nothing herein contained shall be construed to be a waiver by the manufacturer of any of the obligations imposed upon said buyer under the laws of the Commonwealth of Massachusetts except as herein specifically stated.

This warranty is enforceable only by the buyer of the product or a person in the buyer's immediate family. This warranty is enforceable for a period of **FIVE YEARS** from the date of purchase. Some states do not allow limitations on how long an implied warranty lasts, so the above warranty may not apply to you. This warranty gives you specific legal rights and you may also have other rights which vary from state to state.

### Warranty Void if:

- A) Product is altered in any way.
- B) Used for other than its intended use.
- C) Buyer mishandling.