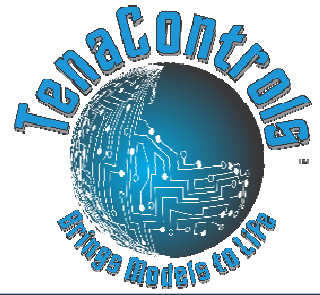


# TenaControls LLC

Milford, MA 01757 U.S.A.  
[www.TenaControls.com](http://www.TenaControls.com)



*TenaControls Brings Models to Life*

## - WIRING DIAGRAM -

### WIRING DIAGRAM OF THE TOS ROTATING NACELLES BOARDS MODEL: TOSNC-18-RGB

#### ITEMS YOU WILL NEED:

Soldering Iron  
Solder  
Hot Glue Gun  
Dremil Tool or Small Drill  
Cutter  
Wire Stripper

#### ITEMS INCLUDED:

One 9 Volt Battery Clip  
One Normally Open Momentary Switch  
Two Rotating Nacelle Boards  
Instructions

Refer to the Master Wiring Diagram on page 5 included in this manual for all external connections to the circuit boards. See included pictures as a guide for assembly.

\*\*\*A digital version of this Manual can be requested via email: \*\*\*  
[sales@tenacontrols.com](mailto:sales@tenacontrols.com)

\*\*\*\*\*

#### Important Notice:

**Make sure that like-colored wires from each board connect correctly to each other or you will damage the boards.**

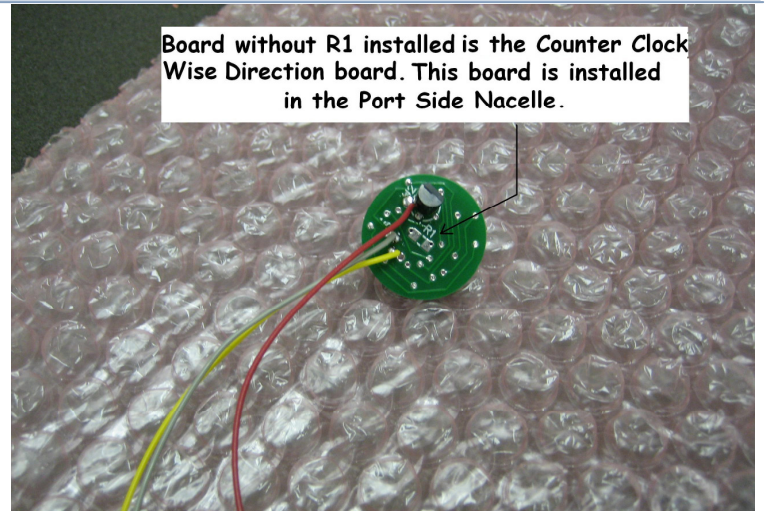
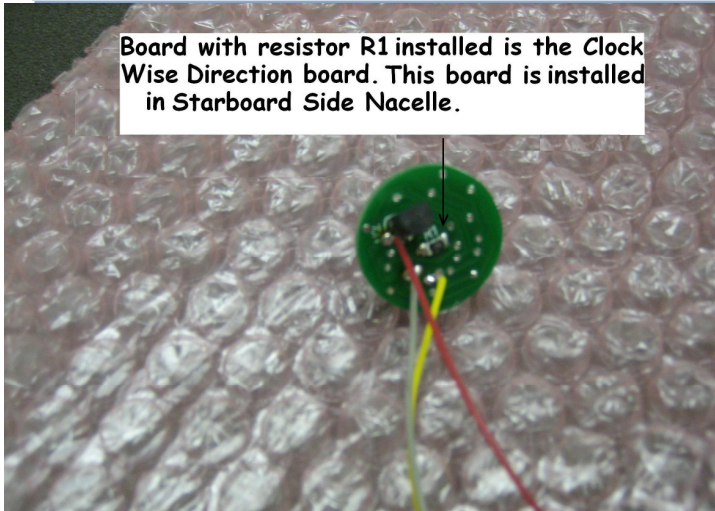
\*\*\*\*\*

# TenaControls LLC

Milford, MA 01757 U.S.A.  
[www.TenaControls.com](http://www.TenaControls.com)



*TenaControls Brings Models to Life*



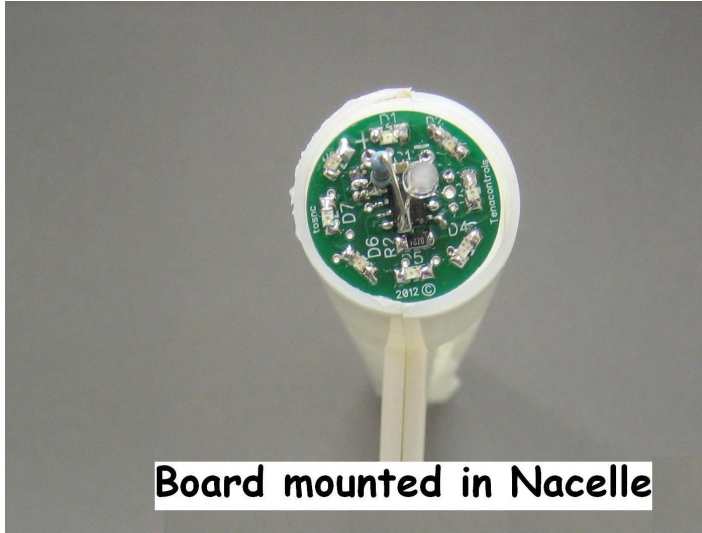


# TenaControls LLC

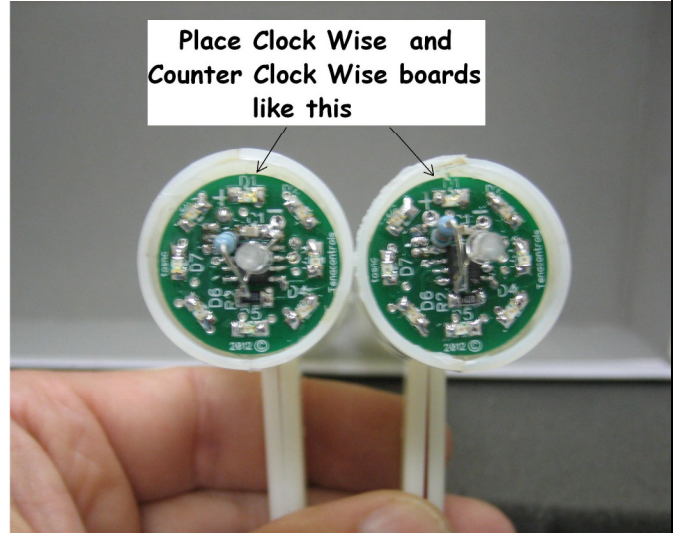
Milford, MA 01757 U.S.A.  
[www.TenaControls.com](http://www.TenaControls.com)



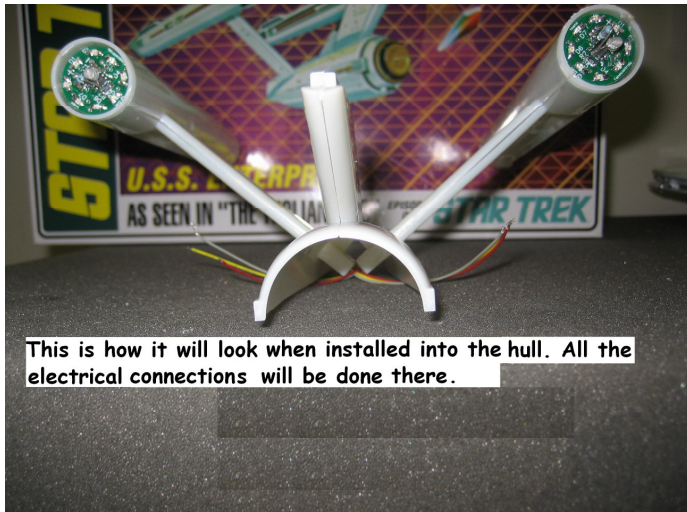
*TenaControls Brings Models to Life*



Board mounted in Nacelle



Place Clock Wise and Counter Clock Wise boards like this



This is how it will look when installed into the hull. All the electrical connections will be done there.

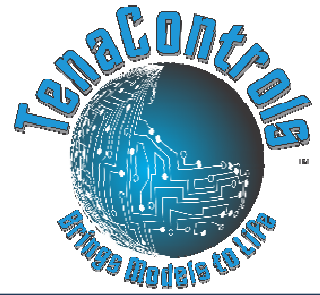


View of unaltered and frosted dome

# TenaControls LLC

Milford, MA 01757 U.S.A.

[www.TenaControls.com](http://www.TenaControls.com)



*TenaControls Brings Models to Life*

---

## - INSTRUCTIONS -

First, connect the Red wire from the Clock Wise Rotating Board to the Red wire from the Counter Clock Wise Rotating Board.

Connect the Gray wire from the Clock Wise Rotating Board to the Gray wire from the Counter Clock Wise Rotating Board.

Connect the Yellow wire from the Clock Wise Rotating Board to the Yellow wire from the Counter Clock Wise Rotating Board

Then, connect one side of the momentary switch to the two Yellow wires and the other side of the momentary switch to the two Gray wires.

Now, connect the Black wire from the battery clip to the Gray wires and the Red wire from the battery clip to the Red wires.

# TenaControls LLC

Milford, MA 01757 U.S.A.  
[www.TenaControls.com](http://www.TenaControls.com)

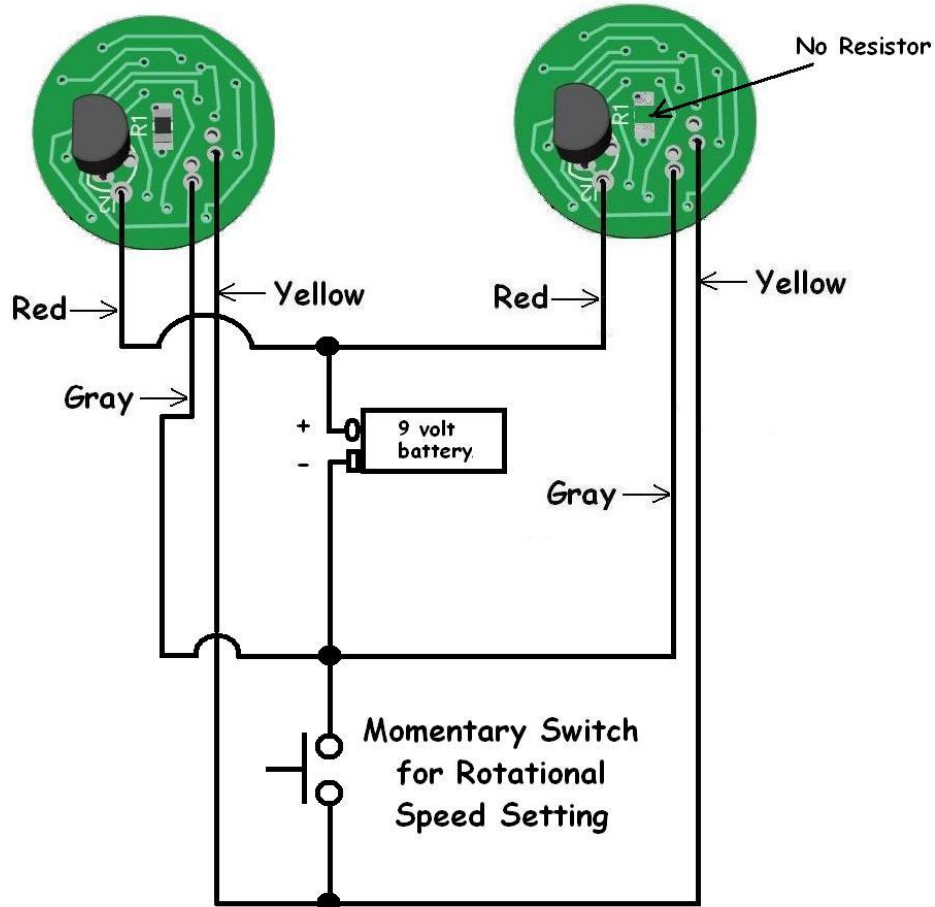


*TenaControls Brings Models to Life*

## MASTER WIRING DIAGRAM FOR SUPPLIED KIT:

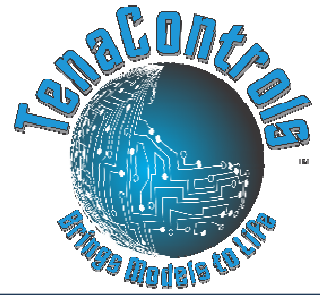
Rear View of  
Clock Wise Rotating Board

Rear View of Counter  
Clock Wise Rotating Board



# TenaControls LLC

Milford, MA 01757 U.S.A.  
[www.TenaControls.com](http://www.TenaControls.com)



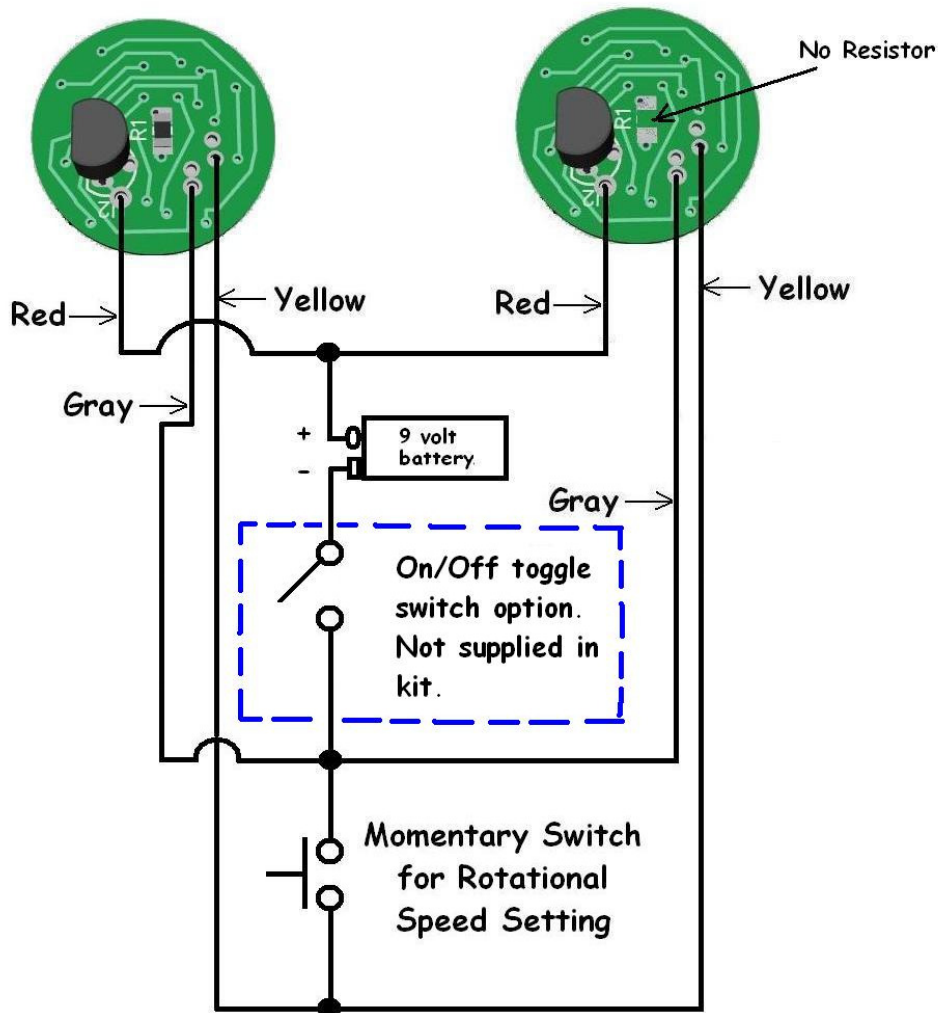
*TenaControls Brings Models to Life*

## ALTERNATIVE WIRING DIAGRAM:

If you would like to add a switch to turn on or off the Rotating Nacelle Boards, see below Alternative Wiring Diagram  
The switch is NOT supplied

Rear View of  
Clock Wise Rotating Board

Rear View of Counter  
Clock Wise Rotating Board



# TenaControls LLC

Milford, MA 01757 U.S.A.  
[www.TenaControls.com](http://www.TenaControls.com)



*TenaControls Brings Models to Life*

---

## Warranty

TenaControls LLC warrants that the goods sold meet TenaControls specifications and are adequately contained, packaged and labeled and conform to the promises and affirmations of fact made on the container and label. THE FOREGOING WARRANTIES ARE EXCLUSIVE, AND ARE IN LIEU OF ALL OTHER WARRANTIES (WHETHER WRITTEN, ORAL OR IMPLIED) INCLUDING WARRANTY OR MERCHANTABILITY IN OTHER RESPECTS THAN EXPRESSLY SET FORTH ABOVE AND WARRANTY OF FITNESS FOR A PARTICULAR PURPOSE.

In the event that there is a breach of express warranty by the manufacturer made in connection with the purchase of this product, if any, the sole remedy of any buyer shall be to return the product along with original sales receipt, at **buyer's expense** for repair (or replacement of the product if repair is impossible) to the manufacturer's facility in the Commonwealth of Massachusetts, located at 22 Hancock Street, Milford, MA 01757. Some states do not allow the exclusion or limitation of any incidental or consequential damages, so the above limitation may not apply to you. Nothing herein contained shall be construed to be a waiver by the manufacturer of any of the obligations imposed upon said buyer under the laws of the Commonwealth of Massachusetts except as herein specifically stated.

This warranty is enforceable only by the buyer of the product or a person in the buyer's immediate family. This warranty is enforceable for a period of **FIVE YEARS** from the date of purchase. Some states do not allow limitations on how long an implied warranty lasts, so the above warranty may not apply to you. This warranty gives you specific legal rights and you may also have other rights which vary from state to state.

### Warranty Void if:

- A) Product is altered in any way.
- B) Used for other than its intended use.
- C) Buyer mishandling.