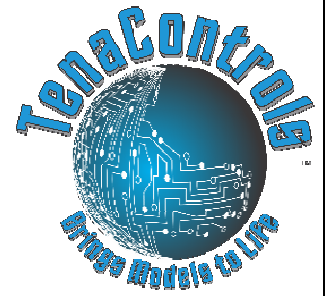


TenaControls LLC

Milford, MA 01757 U.S.A.
www.TenaControls.com



TenaControls Brings Models to Life

- WIRING DIAGRAM -

WIRING DIAGRAM FOR THE 1:350 SCALE 50TH ANNIVERSARY TOS ENTERPRISE MOTORIZED ROTATING FAN BLADE BOARDS AND NAVIGATION/STROBE/IMPULSE ENGINE BOARD.

MODEL: TOSMTR-350A

ITEMS YOU WILL NEED:

Soldering Iron
Solder
Cutter
Wire Stripper

ITEMS INCLUDED:

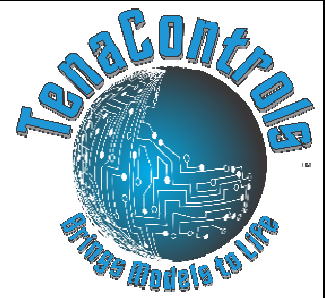
One normally open momentary switch
Two Glowing LED Fan Blade boards
Two Motors
One Navigation/Strobe/Impulse Engine and its LED's
Wiring Instructions

Important Notice:

**Make sure that like-colored wires from each board connect correctly to
each other or you will damage the boards.**

TenaControls LLC

Milford, MA 01757 U.S.A.
www.TenaControls.com



TenaControls Brings Models to Life

***A digital version of this Manual can be requested via email: ***
sales@tenacontrols.com

Refer to the below wiring diagrams for all external connections to the circuit boards.

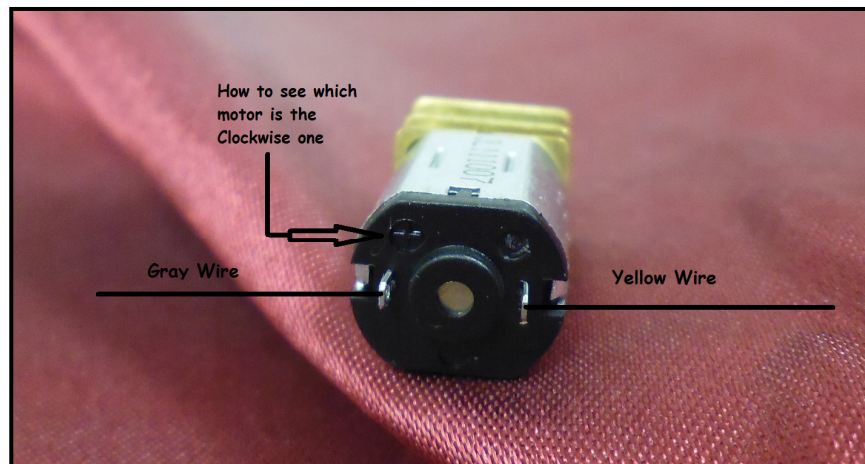
IMPORTANT!

Please review the below video link, as it will assist you in the wiring of the LED's to their respective locations. Additionally, TenaControls has pre-wired the enclosed LED's for your convenience.

www.youtube.com/watch?v=xyoBeBusfhk&feature

- INSTRUCTIONS -

The Clockwise motor has the gray wire on the tab with the + symbol above it.
See below picture:



TenaControls LLC

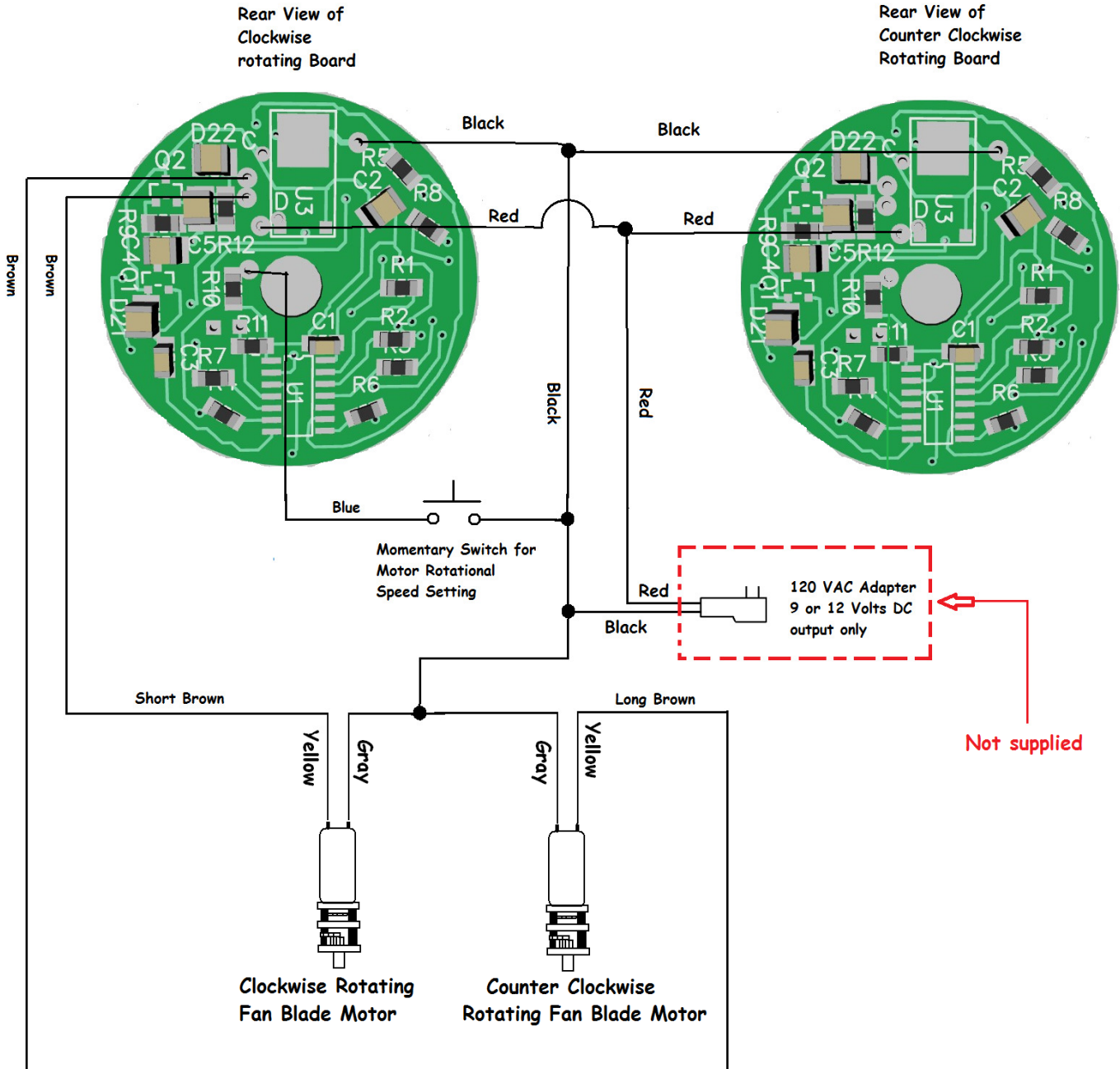
Milford, MA 01757 U.S.A.

www.TenaControls.com

TenaControls Brings Models to Life



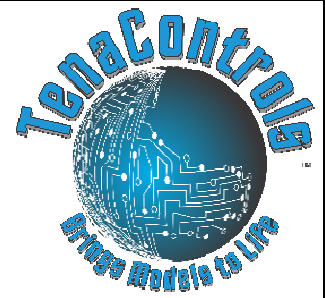
WIRING DIAGRAM FOR ROTATING LED FAN BOARDS:



TenaControls LLC

Milford, MA 01757 U.S.A.

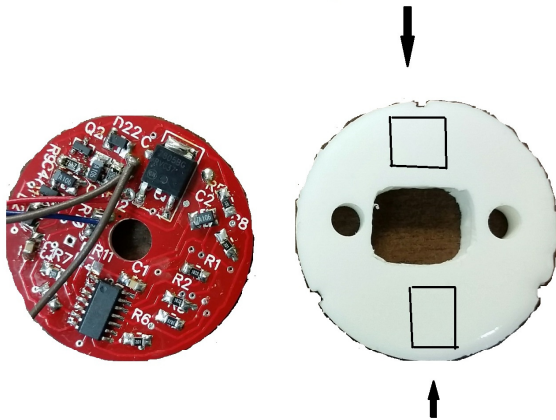
www.TenaControls.com



TenaControls Brings Models to Life

ADAPTER INSTRUCTIONS:

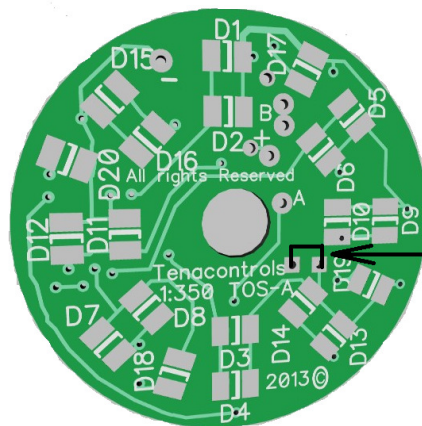
You will need to dremel out a channel so the high sitting component on the board will sit inside the channel so the board will flush with the adapter.



You will need to dremel out a channel so the high sitting component on the board will sit inside the channel so the board will flush with the adapter.

The picture to the left shows the location of the jumper on each of the “Glowing LED Boards”, which sets the faster or slower LED glowing mode. Boards will be shipped factory set with the jumper in faster LED glowing mode. Just cut the jumper on each board for slower LED glowing mode. The choice is yours to make based on your own personal preference.

**Jumper in = Faster
Jumper out = Slower**



Front View of LED Glow Boards

This jumper sets the Faster or Slower Glow Rate.

TenaControls LLC

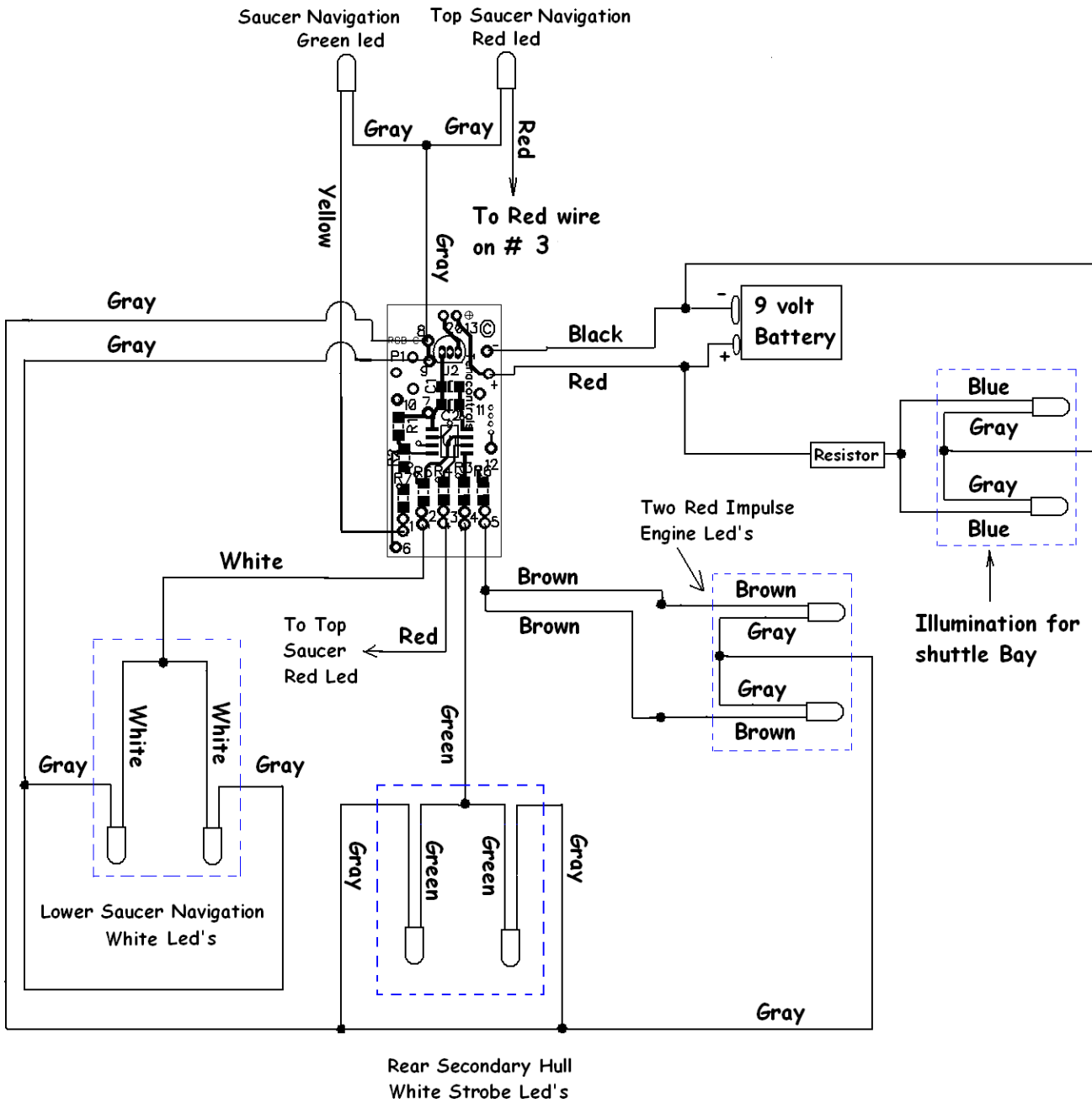
MillFord, MA 01757 U.S.A.

www.TenaControls.com

TenaControls Brings Models to Life



WIRING DIAGRAM FOR NAVIGATION/STROBE/IMPULSE ENGINE BOARD:

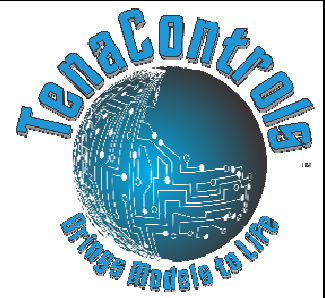


TenaControls LLC

Milford, MA 01757 U.S.A.

www.TenaControls.com

TenaControls Brings Models to Life



Warranty

TenaControls LLC warrants that the control boards sold meet TenaControls specifications and are adequately contained, packaged and labeled and conform to the promises and affirmations of fact made on the container and label. THE FOREGOING WARRANTIES ARE EXCLUSIVE, AND ARE IN LIEU OF ALL OTHER WARRANTIES (WHETHER WRITTEN, ORAL OR IMPLIED) INCLUDING WARRANTY OR MERCHANTABILITY IN OTHER RESPECTS THAN EXPRESSLY SET FORTH ABOVE AND WARRANTY OF FITNESS FOR A PARTICULAR PURPOSE.

In the event that there is a breach of express warranty by the manufacturer made in connection with the purchase of this product, if any, the sole remedy of any buyer shall be to return the product along with original sales receipt, at **buyer's expense** for repair (or replacement of the product if repair is impossible) to the manufacturer's facility in the Commonwealth of Massachusetts, located at 22 Hancock Street, Milford, MA 01757. Some states do not allow the exclusion or limitation of any incidental or consequential damages, so the above limitation may not apply to you. Nothing herein contained shall be construed to be a waiver by the manufacturer of any of the obligations imposed upon said buyer under the laws of the Commonwealth of Massachusetts except as herein specifically stated.

This warranty is enforceable only by the buyer of the product or a person in the buyer's immediate family. This warranty is enforceable for a period of **FIVE YEARS** from the date of purchase. Some states do not allow limitations on how long an implied warranty lasts, so the above warranty may not apply to you. This warranty gives you specific legal rights and you may also have other rights which vary from state to state.

Warranty Void if:

- A) Product is altered in any way.
- B) Used for other than its intended use.
- C) Buyer mishandling.