

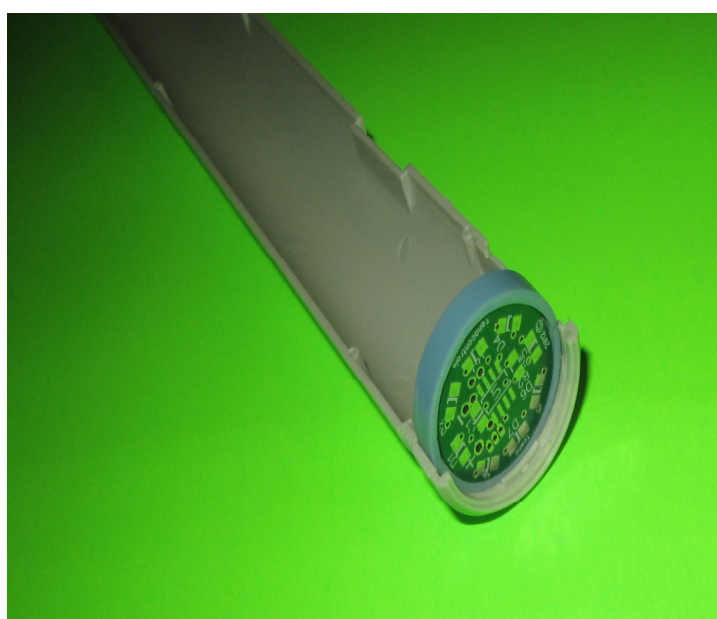
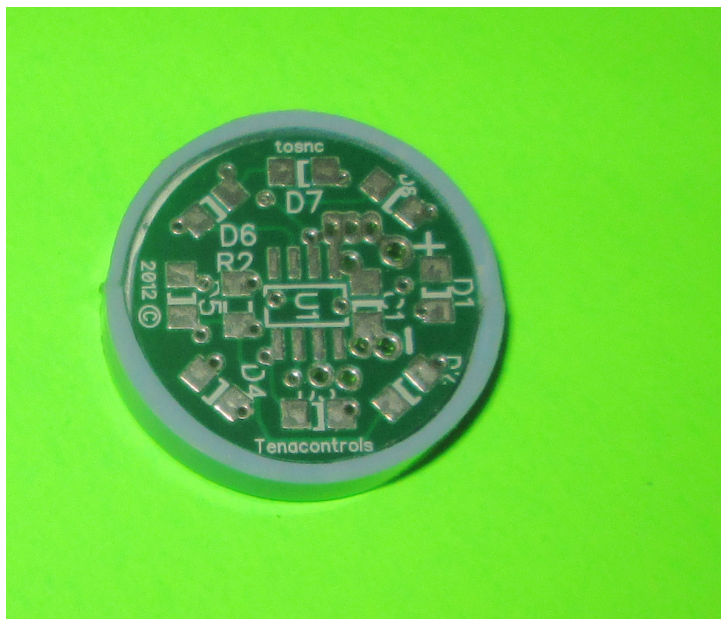
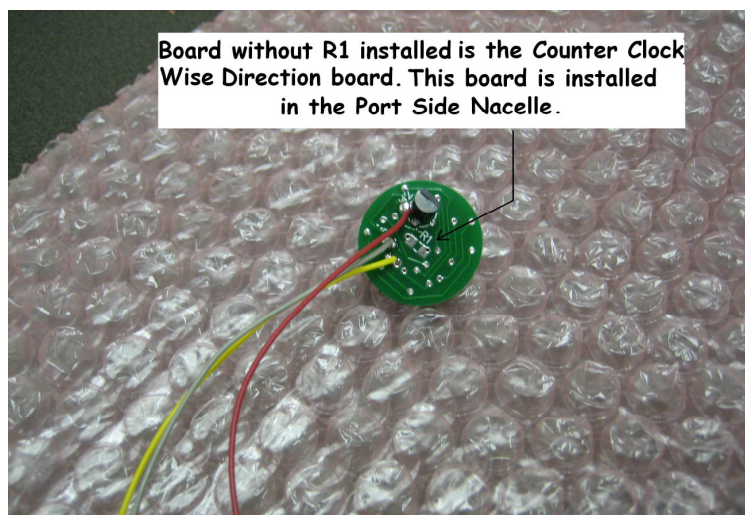
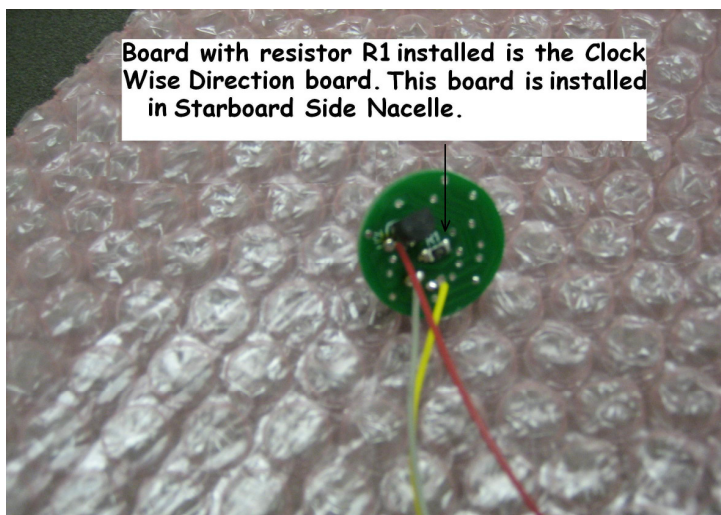
TenaControls Brings Models to Life

Wiring diagram of the TOS Rotating Nacelles boards for the 1:600 Revell Enterprise

Items you will need: Soldering Iron, solder, Hot glue gun, dremil tool or small drill ,cutter and wire stripper.

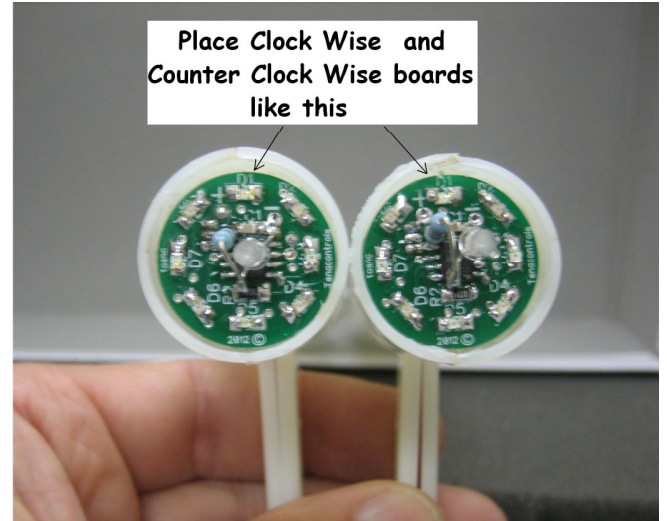
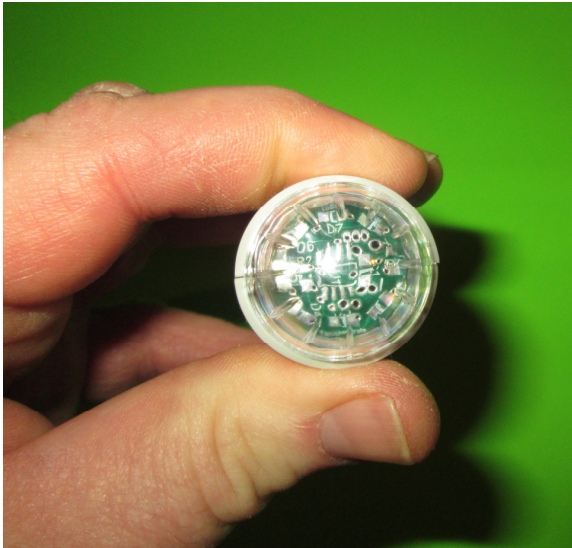
Refer to the master wiring diagram shown below for all external connections to the circuit boards. See the below pictures as a guide on assembly.

What is included: One 9 volt battery clip, One normally open momentary switch, Two rotating Nacelle boards and Instructions.



TenaControls Brings Models to Life

The two round inserts may need to be trim fit into the nacelle due to casting tolerance!



Very important to make sure that like colored wires from each board connects correctly to each other or you will damage the boards.

Now we can connect Red wire from the Clock Wise Rotating Board to the Red wire from the Counter Clock Wise Rotating Board, Gray wire from the Clock Wise Rotating Board to the Gray wire from the Counter Clock Wise Rotating Board, Yellow wire from the Clock Wise Rotating Board to the Yellow wire from the Counter Clock Wise Rotating Board.

Then connect one side of the momentary switch to the two Yellow wires and the other side of the momentary switch to the two Gray wires.

Now connect the Black wire from the battery clip to the Gray wires and the Red wire from the battery clip to the Red wires.

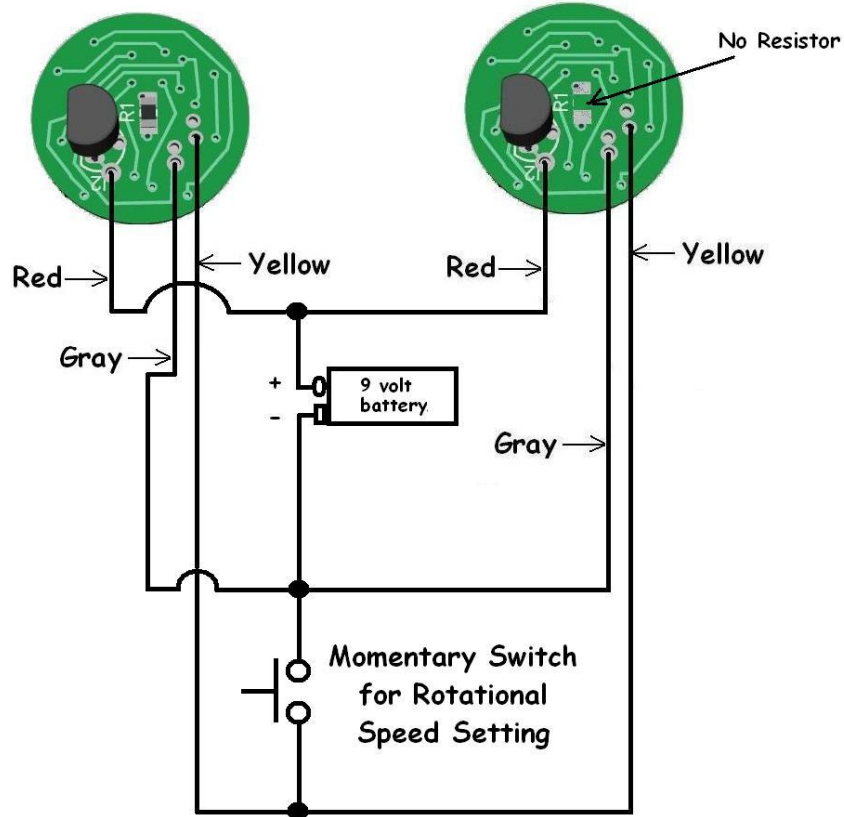
*****A digital version of this Manual can be requested, email, sales@tenacontrols.com *****

TenaControls Brings Models to Life

Master Wiring Diagram For Supplied kit

Rear View of
Clock Wise Rotating Board

Rear View of Counter
Clock Wise Rotating Board

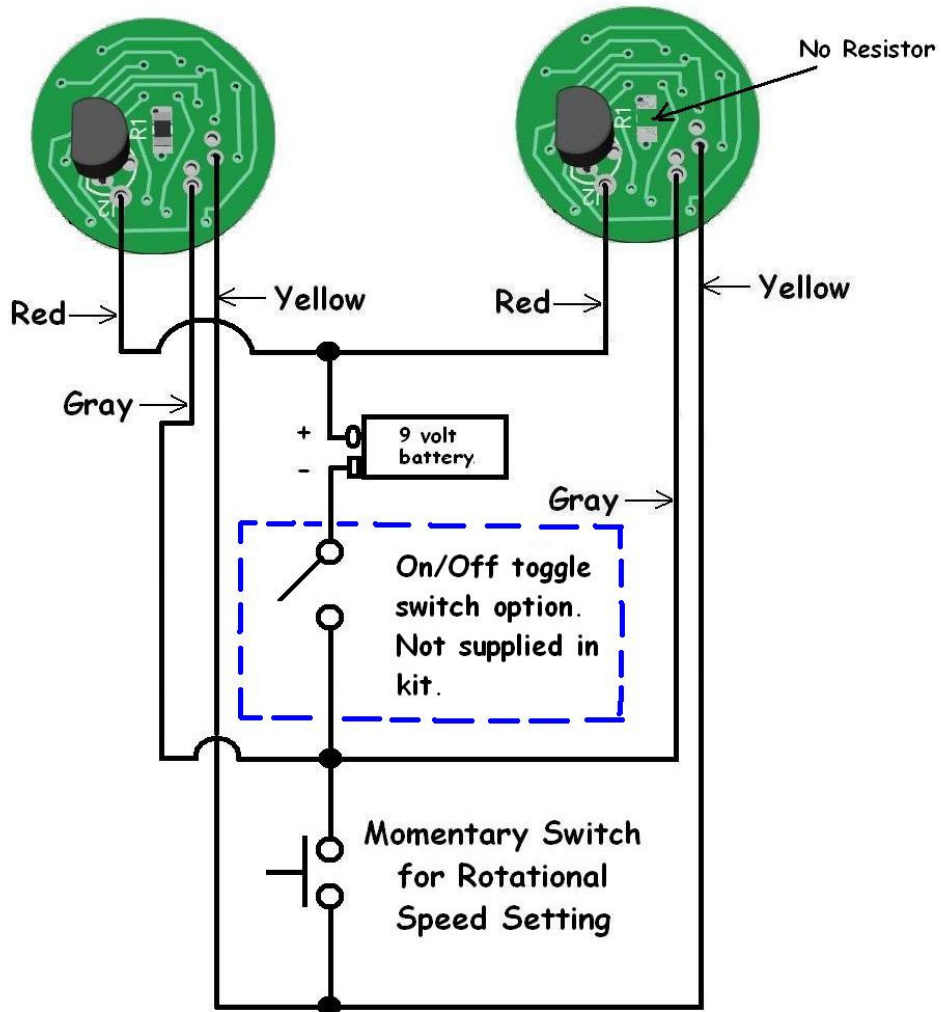


This version of the wiring diagram is if you want to add a switch to turn On or Off the Rotating nacelle boards. The switch is not supplied.

TenaControls Brings Models to Life

Rear View of
Clock Wise Rotating Board

Rear View of Counter
Clock Wise Rotating Board



TenaControls Brings Models to Life

Warranty

TenaControls LLC warrants that the goods sold meet TenaControls specifications and are adequately contained, packaged and labeled and conform to the promises and affirmations of fact made on the container and label. THE FOREGOING WARRANTIES ARE EXCLUSIVE, AND ARE IN LIEU OF ALL OTHER WARRANTIES (WHETHER WRITTEN, ORAL OR IMPLIED) INCLUDING WARRANTY OR MERCHANTABILITY IN OTHER RESPECTS THAN EXPRESSLY SET FORTH ABOVE AND WARRANTY OF FITNESS FOR A PARTICULAR PURPOSE.

In the event that there is a breach of express warranty by the manufacturer made in connection with the purchase of this product, if any, the sole remedy of any buyer shall be to return the product along with original sales receipt, at **buyer's expense** for repair (or replacement of the product if repair is impossible) to the manufacturer's facility in the Commonwealth of Massachusetts, located at 22 Hancock Street, Milford, MA 01757. Some states do not allow the exclusion or limitation of any incidental or consequential damages, so the above limitation may not apply to you. Nothing herein contained shall be construed to be a waiver by the manufacturer of any of the obligations imposed upon said buyer under the laws of the Commonwealth of Massachusetts except as herein specifically stated.

This warranty is enforceable only by the buyer of the product or a person in the buyer's immediate family. This warranty is enforceable for a period of **FIVE YEARS** from the date of purchase. Some states do not allow limitations on how long an implied warranty lasts, so the above warranty may not apply to you. This warranty gives you specific legal rights and you may also have other rights which vary from state to state.

Warranty Void if:

- A) Product is altered in any way.
- B) Used for other than its intended use.
- C) Buyer mishandling.