

TenaControls Brings Models to Life

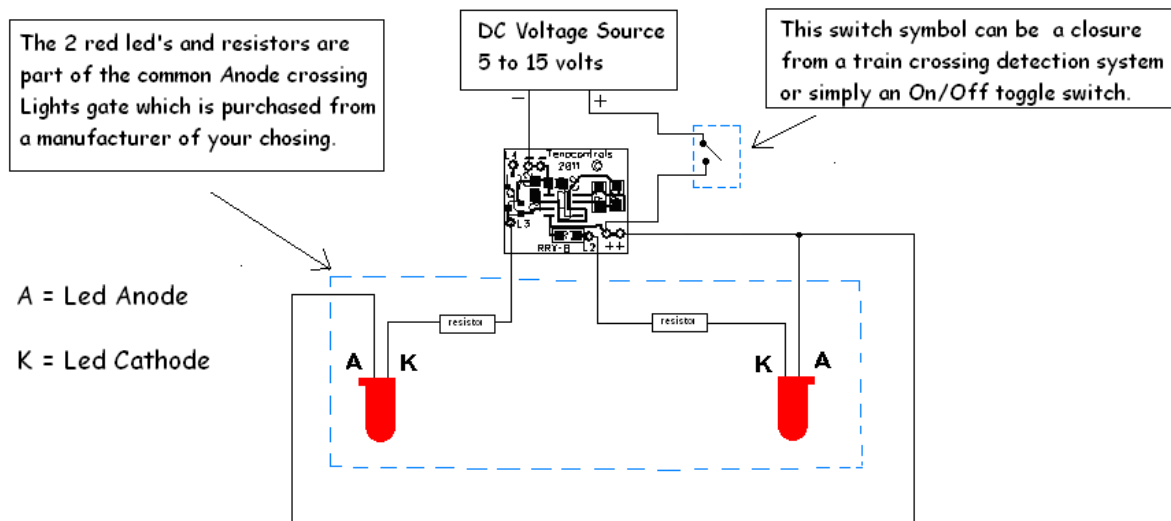
Instructions for the Rail Road Crossing Lights Board for any Common Anode crossing lights from any manufacturer of you're choosing.

This unit is completely assembled and tested. The only thing you need to do is connect up the led's and the resistors and wire up to your system DC power source. This board will work **between 5 to 15 VDC**. One led light is connected to L2 and the other to L3. The lights will start to alternate back and forth once power is applied to the board. That power can be supplied by the relay closure on a train detection board or simply an on/off toggle switch, which will disconnect or connect the positive line to this Rail Road Crossing Lights Board.

Items you will need: Soldering Iron, solder, cutter and wire stripper.

Since the board is tested 100% in a real system before leaving, there may be some solder residue on the board, this is normal.

IMPORTANT!!! DO NOT CONNECT TO AC VOLTAGE OR TRACK TRANSFORMER, IT WILL DAMAGE THE BOARD AND VOID WARRANTY. MUST USE A KNOWN BATTERY SOURCE.



**** The above pictured led's and resistors are provided by the Crossing light **** manufacturer. The train detection system or toggle switch, are not included with this board.

TenaControls Brings Models to Life

If you do not presently have a train detection system, TenaControls does make a led beam detection system which will detect when the train crosses a certain point on the track. Here is a youtube video link www.youtube.com/watch?v=LeS-WsunNGw

Warranty

TenaControls LLC warrants that the control boards sold meet TenaControls specifications and are adequately contained, packaged and labeled and conform to the promises and affirmations of fact made on the container and label. THE FOREGOING WARRANTIES ARE EXCLUSIVE, AND ARE IN LIEU OF ALL OTHER WARRANTIES (WHETHER WRITTEN, ORAL OR IMPLIED) INCLUDING WARRANTY OR MERCHANTABILITY IN OTHER RESPECTS THAN EXPRESSLY SET FORTH ABOVE AND WARRANTY OF FITNESS FOR A PARTICULAR PURPOSE.

In the event that there is a breach of express warranty by the manufacturer made in connection with the purchase of this product, if any, the sole remedy of any buyer shall be to return the product along with original sales receipt, at **buyer's expense** for repair (or replacement of the product if repair is impossible) to the manufacturer's facility in the Commonwealth of Massachusetts, located at 22 Hancock Street, Milford, MA 01757. Some states do not allow the exclusion or limitation of any incidental or consequential damages, so the above limitation may not apply to you. Nothing herein contained shall be construed to be a waiver by the manufacturer of any of the obligations imposed upon said buyer under the laws of the Commonwealth of Massachusetts except as herein specifically stated.

This warranty is enforceable only by the buyer of the product or a person in the buyer's immediate family. This warranty is enforceable for a period of **FIVE YEARS** from the date of purchase. Some states do not allow limitations on how long an implied warranty lasts, so the above warranty may not apply to you. This warranty gives you specific legal rights and you may also have other rights which vary from state to state.

Warranty Void if:

- A) Product is altered in any way.
- B) Used for other than its intended use.
- C) Buyer mishandling.