

TenaControls Brings Models to Life

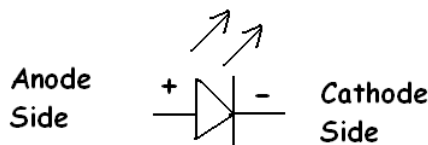
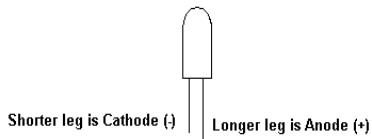
Instructions for Model: 1001-RR Navigation and Strobe Board for the Star Trek Reliant NCC-1864

This unit is completely assembled and tested. The only thing you need to do is connect up the led's and the resistors. Then just plug in the enclosed 9 volt battery and throw the switch on. . Hot glue around the printed circuit works well for locking into place.

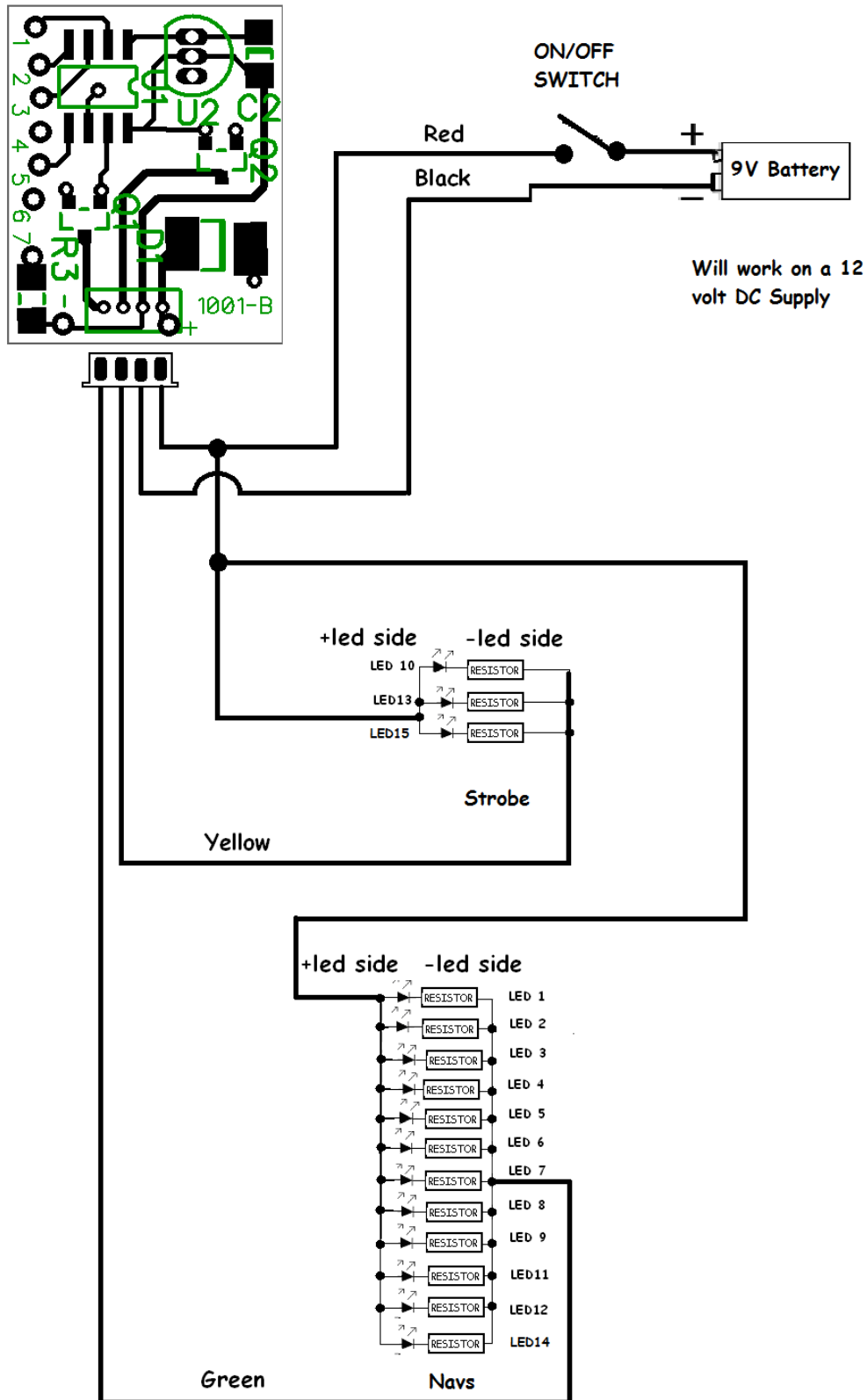
Items you will need: Soldering Iron, solder, cutter and wire stripper.

****Note:** When using the shrink tubing, you need to only slide the shrink tubing over one leg of the led to keep it from shorting against the other leg. Then use heat gun or flame from lighter to heat the shrink tubing until it shrinks around the wire connected to one of the led legs.

How to distinguish an led:



TenaControls Brings Models to Life



TenaControls Brings Models to Life

Strobe Side

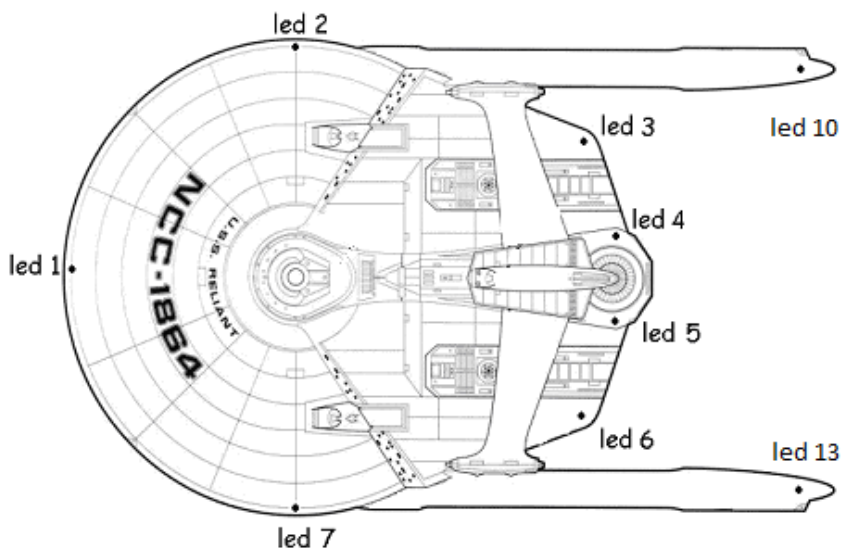
1. **Three White LED10,LED13 and LED15.** The three Cathodes (-) of the Strobe led's will connect to their respective resistor and the other end of resistor will terminate to Yellow wire on the JST Connector on the pc board. See above diagram. Then the three Anodes (+) of the Strobe led's will terminate to Red wire on the JST Connector on pc board. See above diagram.

Navigation Side

2. **Eight White LED1,LED3,LED4,LED5,LED6,LED8,LED11 and LED12.** The eight Cathodes (-) of the Navigation led's will connect to their respective resistor and the other end of resistor will terminate to Green wire on the JST Connector on the pc board. See above diagram. Then the eight Anodes (+) of the Navigation led's will terminate to Red wire on the JST Connector on pc board. See above diagram.
3. **Two Green LED2 and LED14.** The two Cathodes (-) of the Navigation led's will connect to their respective resistor and the other end of resistor will terminate to Green wire on the JST Connector on the pc board. See above diagram. Then the two Anodes (+) of the Navigation led's will terminate Red wire on the JST Connector on pc board. See above diagram.
4. **Two Red LED7 and LED9.** The two Cathodes (-) of the Navigation led's will connect to their respective resistor and the other end of resistor will terminate to Green wire on the JST Connector on the pc board. See above diagram. Then the two Anodes (+) of the Navigation led's will terminate Red wire on the JST Connector on pc board. See above diagram.

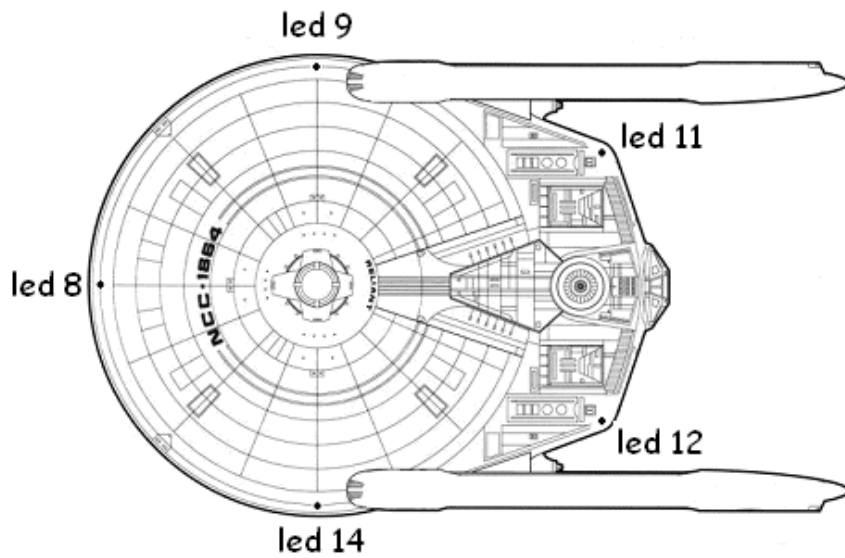
TenaControls Brings Models to Life

Top View of led locations



TenaControls Brings Models to Life

Bottom View of led locations



TenaControls Brings Models to Life

Warranty

TenaControls warrants that the control boards sold meet TenaControls specifications and are adequately contained, packaged and labeled and conform to the promises and affirmations of fact made on the container and label. THE FOREGOING WARRANTIES ARE EXCLUSIVE, AND ARE IN LIEU OF ALL OTHER WARRANTIES (WHETHER WRITTEN, ORAL OR IMPLIED) INCLUDING WARRANTY OR MERCHANTABILITY IN OTHER RESPECTS THAN EXPRESSLY SET FORTH ABOVE AND WARRANTY OF FITNESS FOR A PARTICULAR PURPOSE.

In the event that there is a breach of express warranty by the manufacturer made in connection with the purchase of this product, if any, the sole remedy of any buyer shall be to return the product along with original sales receipt, at **buyer's expense** for repair (or replacement of the product if repair is impossible) to the manufacturer's facility in the Commonwealth of Massachusetts, located at 22 Hancock Street, Milford, MA 01757. Some states do not allow the exclusion or limitation of any incidental or consequential damages, so the above limitation may not apply to you. Nothing herein contained shall be construed to be a waiver by the manufacturer of any of the obligations imposed upon said buyer under the laws of the Commonwealth of Massachusetts except as herein specifically stated.

This warranty is enforceable only by the buyer of the product or a person in the buyer's immediate family. This warranty is enforceable for a period of **FIVE YEARS** from the date of purchase. Some states do not allow limitations on how long an implied warranty lasts, so the above warranty may not apply to you. This warranty gives you specific legal rights and you may also have other rights which vary from state to state.

Warranty Void if:

- A) Product is altered in any way.
- B) Used for other than its intended use.
- C) Buyer mishandling.