

## Instructions for Model#: Combo-DFNT Lighting System used in the Star Trek Deep Space Nine Defiant

This unit is completely assembled and tested. The only thing you need to do is connect the LED's, LED Strips, Speakers and Momentary Switch's to the JST connectors as shown below in the Master Wiring Diagram. Then connect the dc power adapter (not Provided). Hot glue drops on the four sides of the board works well for locking into place.

Items you will need: Soldering Iron, solder, cutter, wire stripper and additional wiring.

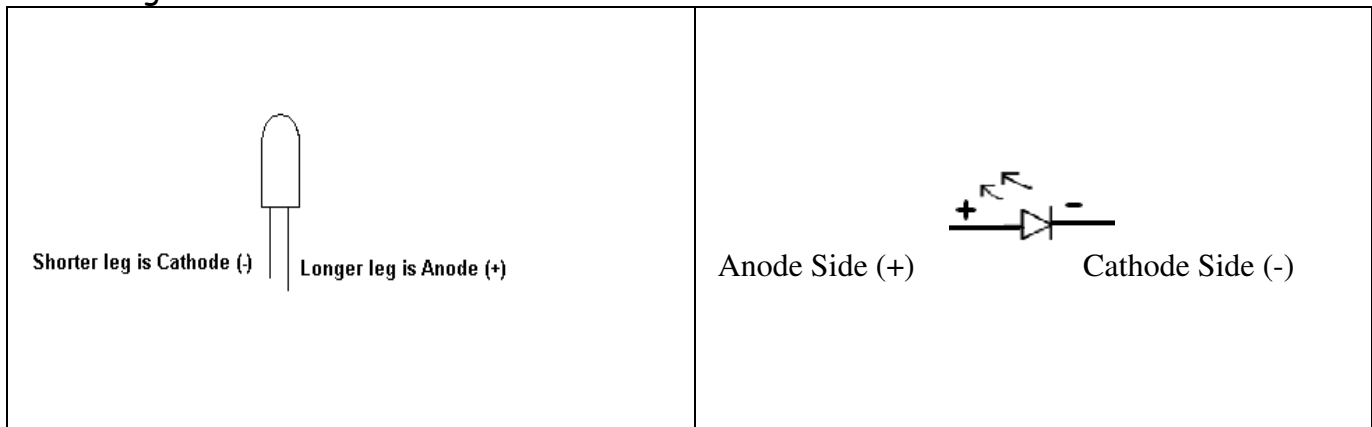
**\*\*Note:** When using the shrink tubing, you need to only slide the shrink tubing over one leg of the led to keep it from shorting against the other leg. Then use heat gun or flame from lighter to heat the shrink tubing until it shrinks around the wire connected to one of the led legs.

For additional assistance see below Instructional Video Link.

<https://www.youtube.com/watch?v=rjc3d2o0oeU&feature=youtu.be>

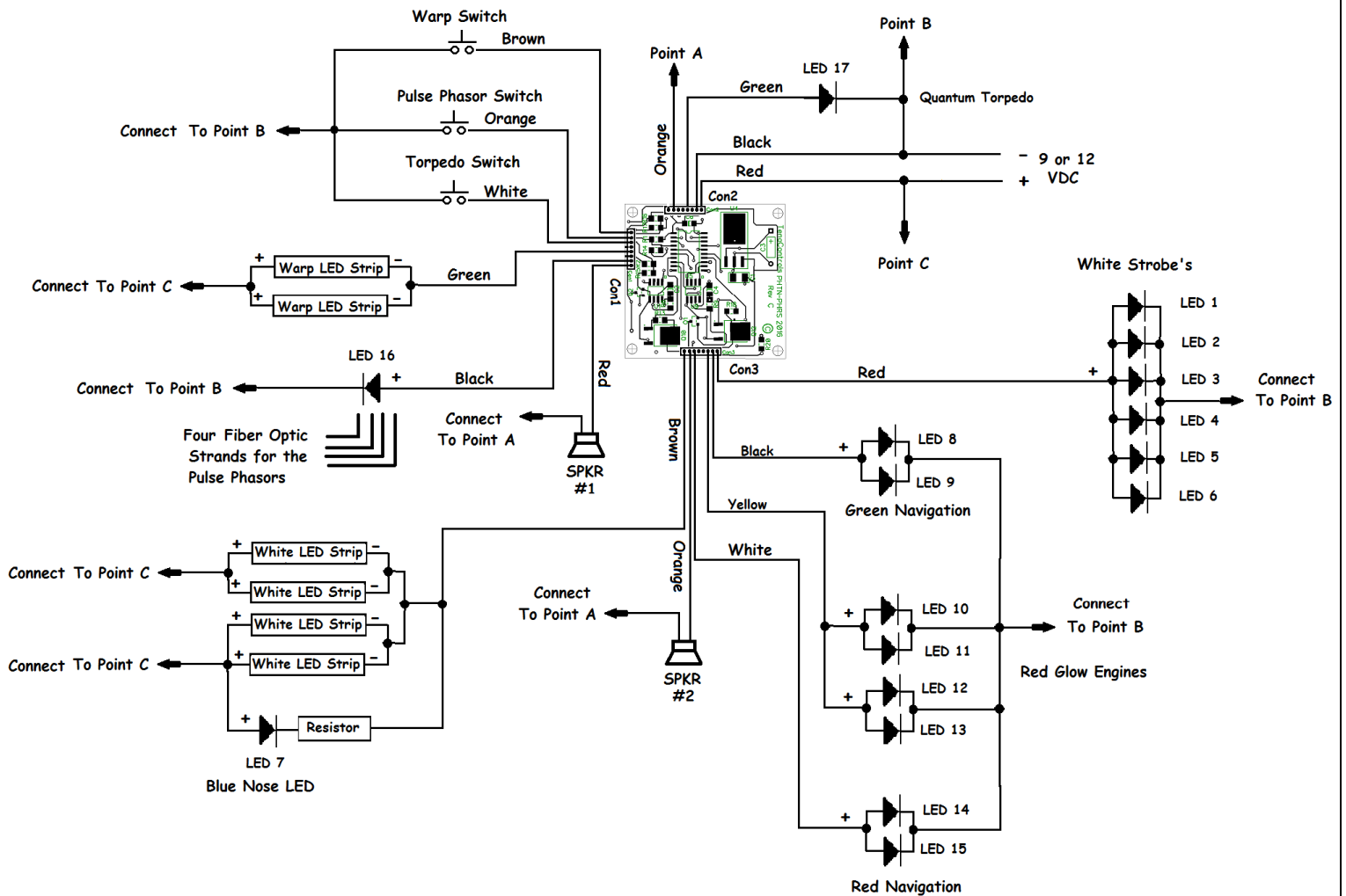
Digital Copy can always be requested by emailing [sales@tenacontrols.com](mailto:sales@tenacontrols.com)

How to distinguish a led:



TenaControls Brings Models to Life

Master Wiring Diagram



TenaControls Brings Models to Life

### White Strobe LED

1. LED1-LED6 all the Six Cathodes (-) of the Strobe LED's, LED1-LED6 connect to Point B, Black wire on mating connector #2. Then connect the Anodes (+) of LED1-LED6 to Red wire on mating connector #3. **See above diagram.**

### Green Navigation LED

2. LED8-LED9 the Two Cathodes (-) of the Navigation LED's, LED8-LED9 connect to Point B, Black wire on mating connector #2. Then connect the Anodes (+) of LED8-LED9 to Black wire on mating connector #3. **See above diagram.**

### Red Navigation LED

3. LED14-LED15 the Two Cathodes (-) of the Navigation LED's, LED14-LED15 connect to Point B, Black wire on mating connector #2. Then connect the Anodes (+) of LED14-LED15 to White wire on mating connector #3. **See above diagram.**

### Red Glow Engines LED

4. LED10-LED13 the Four Cathodes (-) of the Glow Engines LED's, LED10-LED13 connect to Point B, Black wire on mating connector #2. Then connect the Anodes (+) of LED10-LED13 to Yellow wire on mating connector #3. **See above diagram.**

### Internal Lighting

5. LED Strips the Four Cathodes (-), Minus side of the White LED Strips connect to the Brown wire on mating connector #3. Then connect the Anodes (+), Positive side of the White LED Strips to Point C, Red wire on mating connector #2. Then connect **Blue Nose** illumination LED7 Cathode (-), Minus side of LED7 to one end of resistor and the other end of resistor terminates to the Brown wire on mating connector #3. Then connect LED7 Anode (+), Positive side of LED7 to Point C, Red wire on mating connector #2. **See above diagram.**

TenaControls Brings Models to Life

### Warp Effect Lighting

6. LED Strips the Two Cathodes (-), Minus side of the White LED Strips connect to the Green wire on mating connector #1. Then connect the Anodes (+), Positive side of the White LED Strips to Point C, Red wire on mating connector #2. **See above diagram.** Then connect one side of Warp momentary switch to Brown wire on mating connector #1, other side of momentary switch goes to Point B. **See above diagram.** Pressing Warp momentary switch will activate the Warp Effect Lighting.

### Orange Pulse Phasor LED

7. LED16 the Cathode (-) Minus of the Pulse Phasor LED, LED16 connects to Point B, Black wire on mating connector #2. Then connect the Anode (+) Positive of **LED16** to Black wire on mating connector #1. Then use the Four Fiber optic strands as the transmission guide for the Pulse Phasor. **See above diagram.** Connect one side of SPKR #1 to the Red wire on mating connector #1, then connect other side of SPKR #1 to Point A, Orange wire on mating connector #2. **See above diagram.** Then connect one side of Pulse Phasor momentary switch to Orange wire on mating connector #1, other side of momentary switch goes to Point B. **See above diagram.** Pressing Pulse Phasor momentary switch will activate the Pulse Phasor firing sequence.

### Red Quantum Torpedo LED

8. LED17 the Cathode (-) of the Torpedo LED, LED17 connects to Point B, Black wire on mating connector #2. Then connect the Anode (+) of **LED17** to Green wire on mating connector #2. **See above diagram.** Connect one side of SPKR #2 to the Orange wire on mating connector #3, then connect other side of SPKR #2 to Point A, Orange wire on mating connector #2. **See above diagram.** Then connect one side of Quantum Torpedo momentary switch to White wire on mating connector #1, other side of momentary switch goes to Point B. **See above diagram.** Pressing Photon Torpedo momentary switch will activate the Photon Torpedo firing sequence. **Special Feature, press this switch twice quickly and it will place into a demo mode.**

TenaControls Brings Models to Life

## Warranty

TenaControls warrants that the control boards sold meet TenaControls specifications and are adequately contained, packaged and labeled and conform to the promises and affirmations of fact made on the container and label. THE FOREGOING WARRANTIES ARE EXCLUSIVE, AND ARE IN LIEU OF ALL OTHER WARRANTIES (WHETHER WRITTEN, ORAL OR IMPLIED) INCLUDING WARRANTY OR MERCHANTABILITY IN OTHER RESPECTS THAN EXPRESSLY SET FORTH ABOVE AND WARRANTY OF FITNESS FOR A PARTICULAR PURPOSE.

If there is a breach of express warranty by the manufacturer made in connection with the purchase of this product, if any, the sole remedy of any buyer shall be to return the product along with original sales receipt, at **buyer's expense** for repair (or replacement of the product if repair is impossible) to the manufacturer's facility in the Commonwealth of Massachusetts, located at 22 Hancock Street, Milford, MA 01757. Some states do not allow the exclusion or limitation of any incidental or consequential damages, so the above limitation may not apply to you. Nothing herein contained shall be construed to be a waiver by the manufacturer of any of the obligations imposed upon said buyer under the laws of the Commonwealth of Massachusetts except as herein specifically stated.

This warranty is enforceable only by the buyer of the product or a person in the buyer's immediate family. This warranty is enforceable for a period of **FIVE YEARS** from the date of purchase. Some states do not allow limitations on how long an implied warranty lasts, so the above warranty may not apply to you. This warranty gives you specific legal rights and you may also have other rights which vary from state to state.

### Warranty Void if:

- A) Product is altered in any way.
- B) Used for other than its intended use.
- C) Buyer mishandling.