

TenaControls Brings Models to Life

Instructions for Model#: TIEX1-A Lighting System used in the 1:72 Scale Star Wars TIE ADVANCED X1 Model from BAN DAI

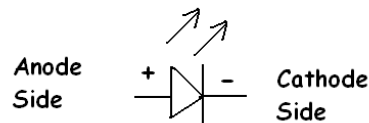
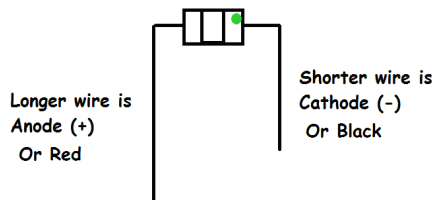
This unit is completely assembled and tested. The only thing you need to do is locate the LED's in their proper locations as shown in the **Instructional Video**. Then connect the dc power adapter (**not Provided**). Hot glue drops on the four sides of the board works well for locking into place.

Items you will need: GLUE.

Instructional Video Link: <https://www.youtube.com/watch?v=N03Kt2-IMXY&feature=youtu.be>

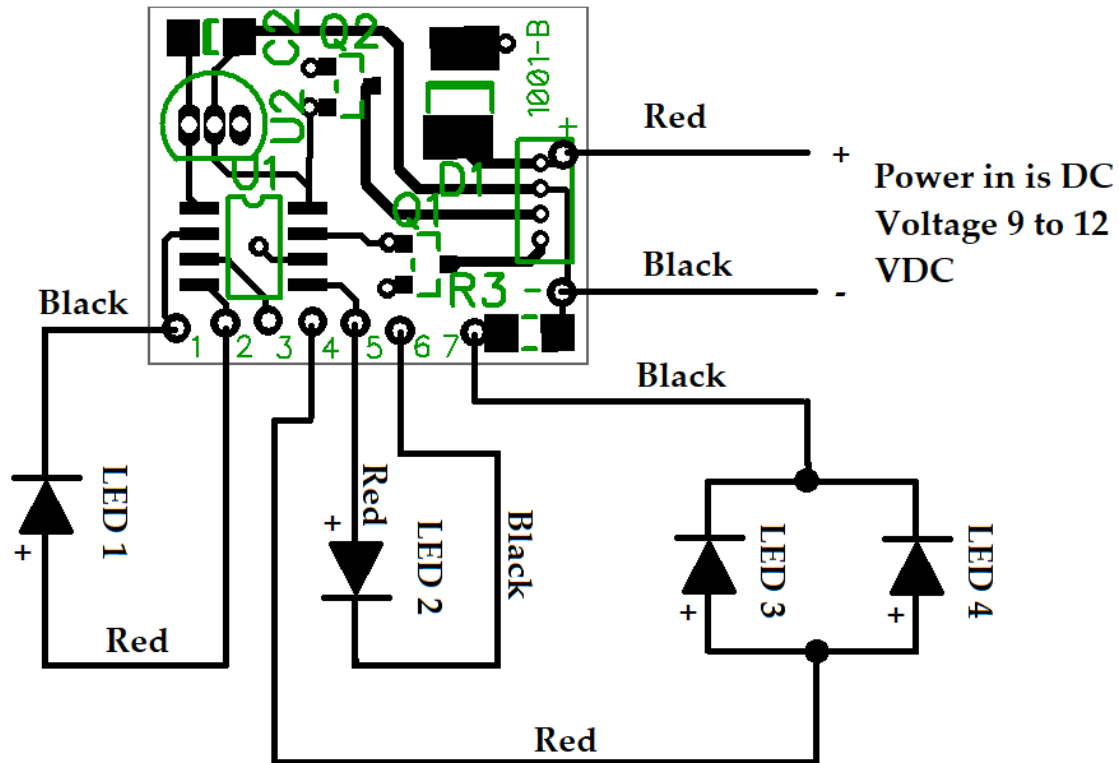
Digital Copy can always be requested by emailing sales@tenacontrols.com

How to distinguish a led:



NOTE: This is a Plug and Play setup. If any of the wiring gets broken off, follow the below instructions and wiring diagram to rewire it.

TenaControls Brings Models to Life

Master Wiring DiagramInternal Lighting

1. LED 1, Black wire, Cathode (-), Minus side of the Red SMD LED connects to #1 location of board. Then connect the Red wire, Anode (+), Positive side of the Red SMD LED to location #2 of the board. **See above diagram.**
2. LED 2, Black wire, Cathode (-), Minus side of the White SMD LED connects to #6 location of board. Then connect the Red wire, Anode (+), Positive side of the White SMD LED to location #5 of the board. **See above diagram.**

Lasers

3. LED 3 and LED 4, Black wires, Cathodes (-), Minus sides of the Green SMD LED's connects to #7 location of board. Then connect the Red wires, Anodes (+), Positive sides of the Green SMD LED to location #4 of the board. **See above diagram.**

TenaControls Brings Models to Life

Warranty

TenaControls warrants that the control boards sold meet TenaControls specifications and are adequately contained, packaged and labeled and conform to the promises and affirmations of fact made on the container and label. THE FOREGOING WARRANTIES ARE EXCLUSIVE, AND ARE IN LIEU OF ALL OTHER WARRANTIES (WHETHER WRITTEN, ORAL OR IMPLIED) INCLUDING WARRANTY OR MERCHANTABILITY IN OTHER RESPECTS THAN EXPRESSLY SET FORTH ABOVE AND WARRANTY OF FITNESS FOR A PARTICULAR PURPOSE.

If there is a breach of express warranty by the manufacturer made in connection with the purchase of this product, if any, the sole remedy of any buyer shall be to return the product along with original sales receipt, at **buyer's expense** for repair (or replacement of the product if repair is impossible) to the manufacturer's facility in the Commonwealth of Massachusetts, located at 22 Hancock Street, Milford, MA 01757. Some states do not allow the exclusion or limitation of any incidental or consequential damages, so the above limitation may not apply to you. Nothing herein contained shall be construed to be a waiver by the manufacturer of any of the obligations imposed upon said buyer under the laws of the Commonwealth of Massachusetts except as herein specifically stated.

This warranty is enforceable only by the buyer of the product or a person in the buyer's immediate family. This warranty is enforceable for a period of **FIVE YEARS** from the date of purchase. Some states do not allow limitations on how long an implied warranty lasts, so the above warranty may not apply to you. This warranty gives you specific legal rights and you may also have other rights which vary from state to state.

Warranty Void if:

- A) Product is altered in any way.
- B) Used for other than its intended use.
- C) Buyer mishandling.