

TenaControls Brings Models to Life

## Instructions for Model#: DRLK-LIS, Lighting System for 1/350 Scale Lost in Space Derelict from Moebius Models

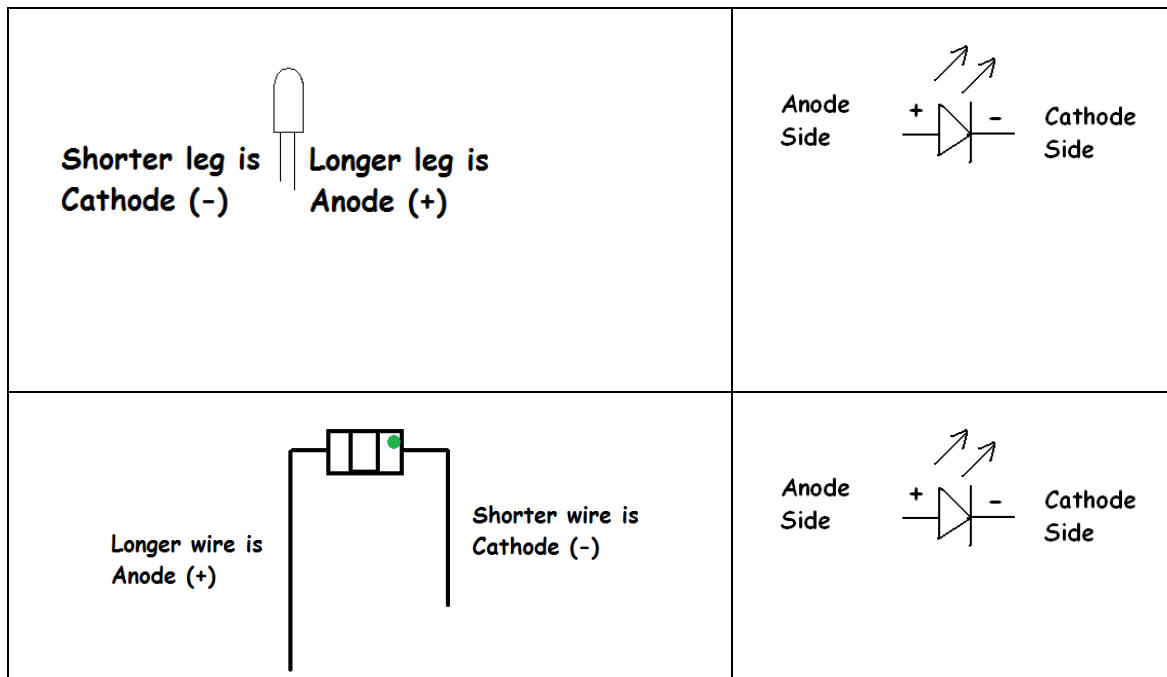
This board is completely assembled and tested. The only thing you need to do is connect up the led's to the connection points as shown below in the Master Wiring Diagram. Then just plug in the 9 volt battery (**Not Supplied**) into the holder, Throw the On/Off Switch (**Not Supplied**). Hot glue drops on the four sides of the board works well for locking into place. The below video link will show some of the assembly process by Boyd Crompton.

[www.youtube.com/watch?v=Jv1ZsghaONs&nohtml5=False](http://www.youtube.com/watch?v=Jv1ZsghaONs&nohtml5=False)

Items you will need: Soldering Iron, solder, cutter, wire stripper and additional wiring.

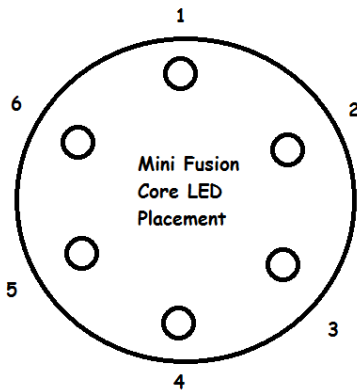
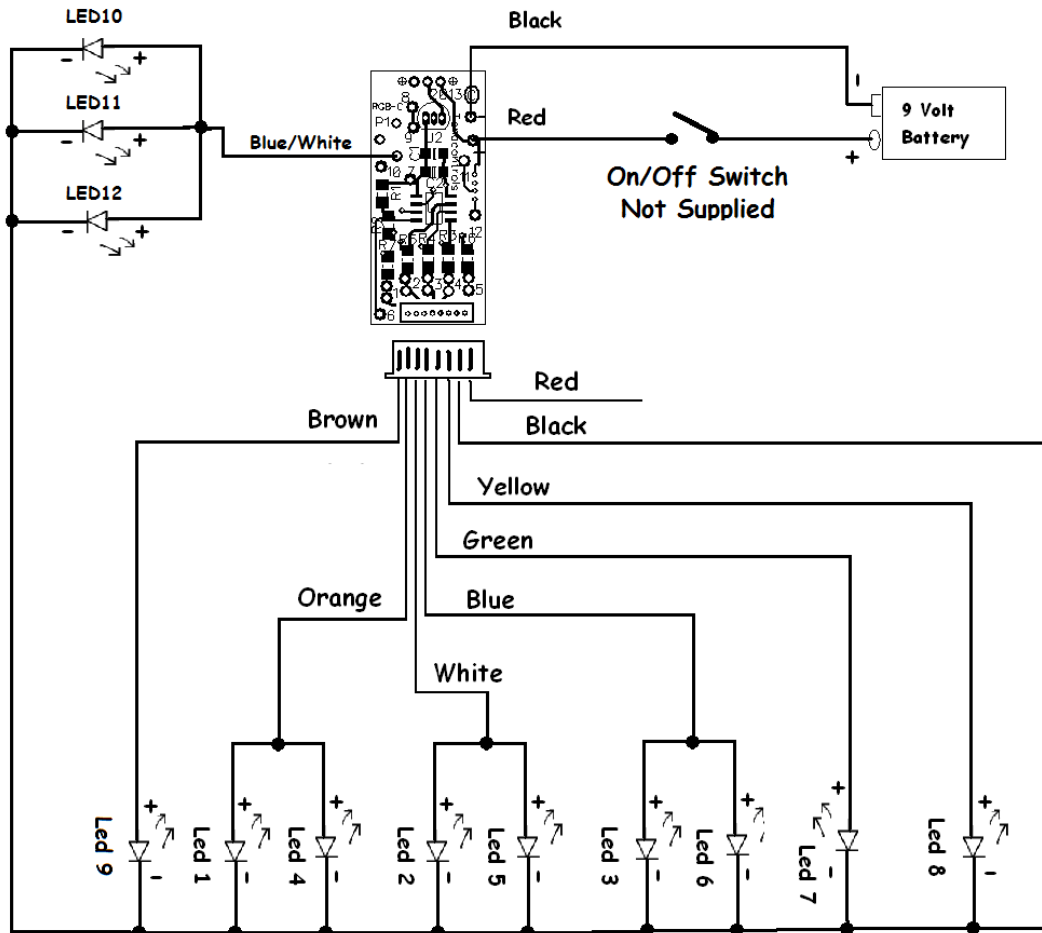
**\*\*Note:** When using the shrink tubing, you need to only slide the shrink tubing over one leg of the led to keep it from shorting against the other leg. Then use heat gun or flame from lighter to heat the shrink tubing until it shrinks around the wire connected to one of the led legs.

How to distinguish a led:



### Master Wiring Diagram

TenaControls Brings Models to Life



TenaControls Brings Models to Life

### Mini Fusion Core LED Lights

1. **Two White SMD led's, LED1, LED4.** Output #1, the Two Anodes (+) of led's, LED1, LED4 connect to the Orange wire from the Micro JST Connector. Then connect the Cathodes (-) of LED1, LED4 to the Black wire from the Micro JST Connector. See above diagram.
2. **Two White SMD led's, LED2, LED5.** Output #2, the Two Anodes (+) of led's, LED2, LED5 connect to the White wire from the Micro JST Connector. Then connect the Cathodes (-) of LED2, LED5 to the Black wire from the Micro JST Connector. See above diagram.
3. **Two White SMD led's, LED3, LED6.** Output #3, the Two Anodes (+) of led's, LED3, LED6 connect to the Blue wire from the Micro JST Connector. Then connect the Cathodes (-) of LED3, LED6 to the Black wire from the Micro JST Connector. See above diagram.

### RGB Slow Rainbow LED

4. **One 5mm RGB LED7.** Output #4, the Anode (+) of LED7 connects to the Green wire from the Micro JST Connector. Then connect the Cathode (-) of LED7 to the Black wire from the Micro JST Connector. See above diagram.
5. **One 5mm RGB LED8.** Output #5, the Anode (+) of LED8 connects to the Yellow wire from the Micro JST Connector. Then connect the Cathode (-) of LED8 to the Black wire from the Micro JST Connector. See above diagram.
6. **One 5mm RGB LED9.** This is mounted in the center of the sphere. The Anode (+) of LED9 connects to the Brown wire from the Micro JST Connector. Then connect the Cathode (-) of LED9 to the Black wire from the Micro JST Connector. See above diagram.

### Interior Saucer Lighting LED's

7. **Three White SMD led's.** Interior Window Lighting, the Anodes (+) of LED10-LED12 connects to the Blue/White wire from the PC Board. Then connect the Cathodes (-) of LED10-LED12 to the Black wire from the Micro JST Connector. See above diagram.

TenaControls Brings Models to Life

## Warranty

TenaControls warrants that the control boards sold meet TenaControls specifications and are adequately contained, packaged and labeled and conform to the promises and affirmations of fact made on the container and label. THE FOREGOING WARRANTIES ARE EXCLUSIVE, AND ARE IN LIEU OF ALL OTHER WARRANTIES (WHETHER WRITTEN, ORAL OR IMPLIED) INCLUDING WARRANTY OR MERCHANTABILITY IN OTHER RESPECTS THAN EXPRESSLY SET FORTH ABOVE AND WARRANTY OF FITNESS FOR A PARTICULAR PURPOSE.

In the event that there is a breach of express warranty by the manufacturer made in connection with the purchase of this product, if any, the sole remedy of any buyer shall be to return the product along with original sales receipt, at **buyer's expense** for repair (or replacement of the product if repair is impossible) to the manufacturer's facility in the Commonwealth of Massachusetts, located at 22 Hancock Street, Milford, MA 01757. Some states do not allow the exclusion or limitation of any incidental or consequential damages, so the above limitation may not apply to you. Nothing herein contained shall be construed to be a waiver by the manufacturer of any of the obligations imposed upon said buyer under the laws of the Commonwealth of Massachusetts except as herein specifically stated.

This warranty is enforceable only by the buyer of the product or a person in the buyer's immediate family. This warranty is enforceable for a period of **FIVE YEARS** from the date of purchase. Some states do not allow limitations on how long an implied warranty lasts, so the above warranty may not apply to you. This warranty gives you specific legal rights and you may also have other rights which vary from state to state.

### Warranty Void if:

- A) Product is altered in any way.
- B) Used for other than its intended use.
- C) Buyer mishandling.