

TenaControls Brings Models to Life

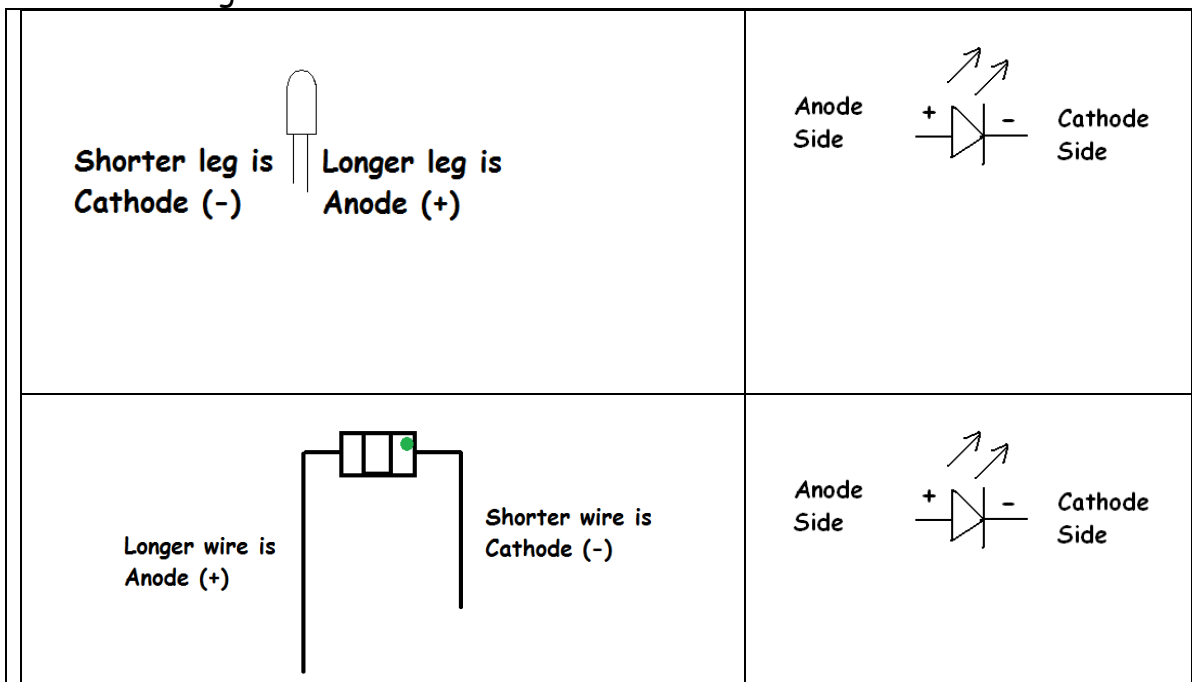
Instructions for Model#: ARPLN-A, Generic Airplane Lighting System

This unit is completely assembled and tested. The only thing you need to do is connect up the led's as shown below in the Master Wiring Diagram. Then just plug in the 9 volt battery (NOT PROVIDED) into the holder and throw the micro slide switch on. Hot glue drops on the four sides of the board works well for locking into place.

Items you will need: Soldering Iron, solder, cutter, wire stripper and additional wiring.

****Note:** When using the shrink tubing, you need to only slide the shrink tubing over one leg of the led to keep it from shorting against the other leg. Then use heat gun or flame from lighter to heat the shrink tubing until it shrinks around the wire connected to one of the led legs.

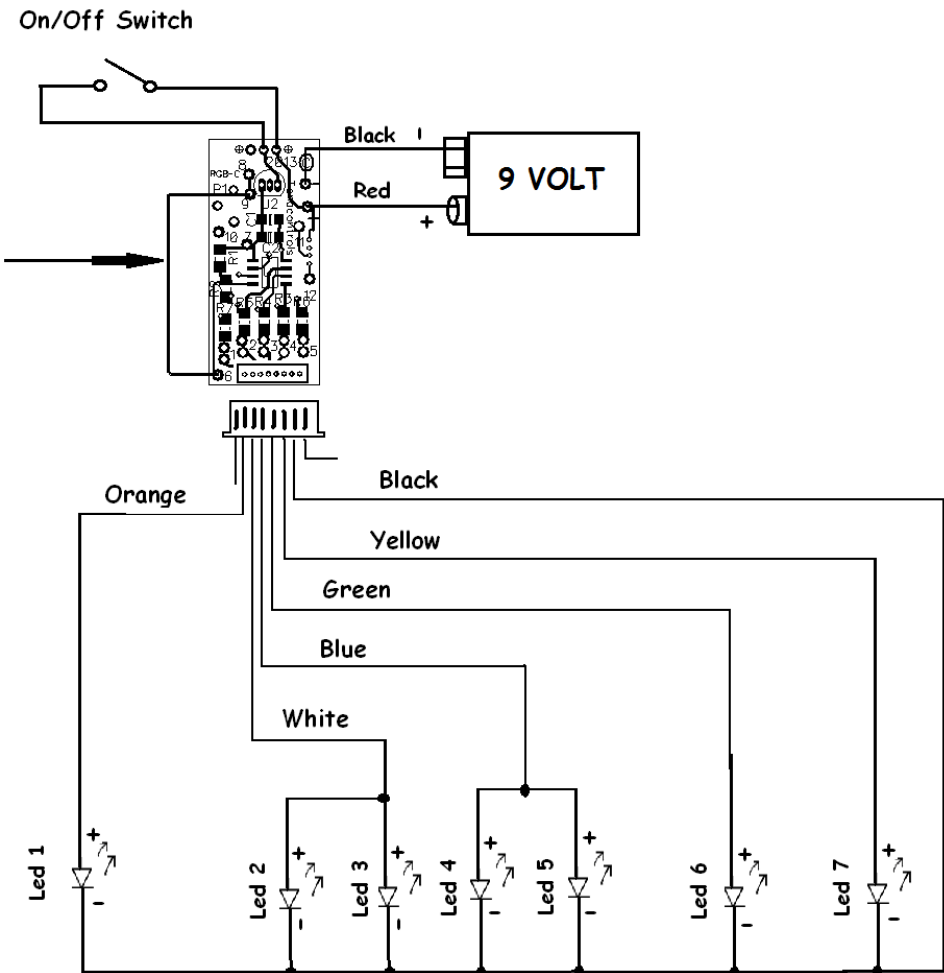
How to distinguish a led:



TenaControls Brings Models to Life

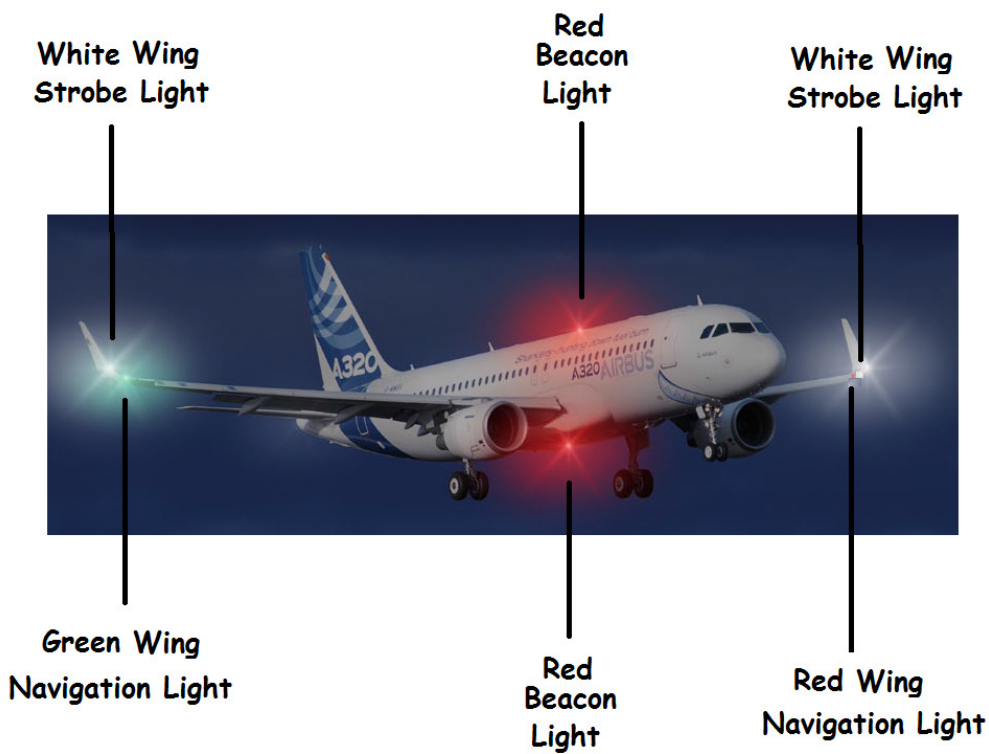
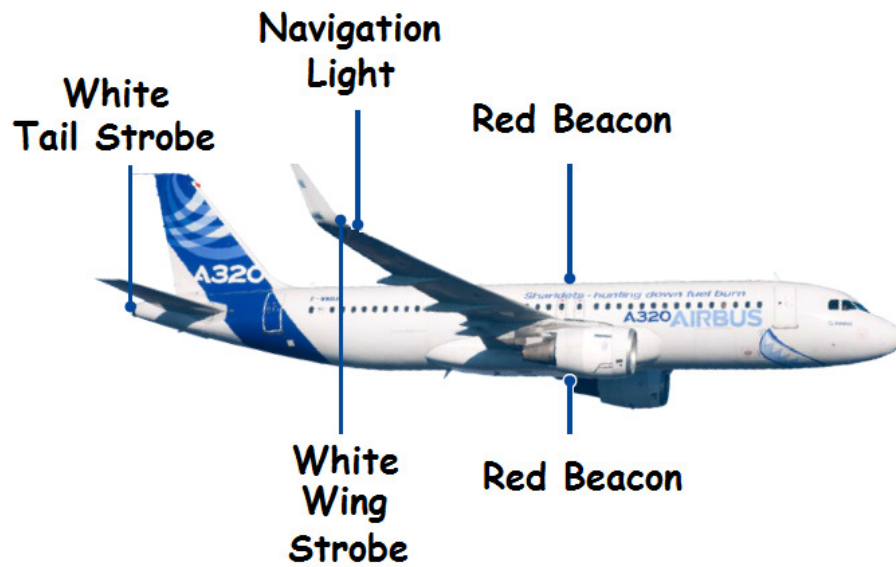
Light Mode Jumper

Uncut = Airbus Mode
Cut = Standard Mode



Please request a digital copy version to see the below pictures in their original color for proper viewing.

TenaControls Brings Models to Life



TenaControls Brings Models to Life

Tail Strobe Light

1. **One White 3mm led, LED1.** The Two Anode (+) of the Tail Strobe Light led, LED1 connect to the Orange wire from the pc board. Then connect the Cathode (-) of LED1 to the Black wire from the pc board. See above diagram.

Wing Strobe Lights

2. **Two White SMD led's, LED2-LED3.** The Two Anodes (+) of the Wing Strobe Lights led's, LED2-LED3 connect to the White wire from the pc board. Then connect the Cathode (-) of LED2-LED3 to the Black wire from the pc board. See above diagram.

Beacon Lights

3. **Two Red 3mm led's, LED4-LED5.** The Two Anodes (+) of the Beacon Lights led's, LED4-LED5 connect to the Blue wire from the pc board. Then connect the Cathode (-) of LED4-LED5 to the Black wire from the pc board. See above diagram.

Right, Starboard Side Navigation Light

4. **One Green SMD led, LED6.** The Anode (+) of the Right Side Navigational Light led, LED6 connect to the Green wire from the pc board. Then connect the Cathode (-) of LED6 to the Black wire from the pc board. See above diagram.

TenaControls Brings Models to Life

Left, Port Side Navigation Light

5. **One Red SMD led, LED7.** The Anode (+) of the Left Side Navigational Light led, LED7 connect to the Yellow wire from the pc board. Then connect the Cathode (-) of LED7 to the Black wire from the pc board. See above diagram.

6. Once all the above wiring is done, slide the power on Switch to the on position. The Navigational lights will come on and stay on. The Strobe and Beacon lights will start to flash at their respective rates.

7. **The Light Mode Jumper.** Uncut is the Airbus light mode, utilizing a double flash on the Wing Strobes, single flash on the Tail Strobe and Beacon Lights. If the jumper is cut, then it's in Standard mode, utilizing a single flash on the Wing Strobes, Tail Strobe and Beacon Lights.

TenaControls Brings Models to Life

Warranty

TenaControls warrants that the control boards sold meet TenaControls specifications and are adequately contained, packaged and labeled and conform to the promises and affirmations of fact made on the container and label. THE FOREGOING WARRANTIES ARE EXCLUSIVE, AND ARE IN LIEU OF ALL OTHER WARRANTIES (WHETHER WRITTEN, ORAL OR IMPLIED) INCLUDING WARRANTY OR MERCHANTABILITY IN OTHER RESPECTS THAN EXPRESSLY SET FORTH ABOVE AND WARRANTY OF FITNESS FOR A PARTICULAR PURPOSE.

In the event that there is a breach of express warranty by the manufacturer made in connection with the purchase of this product, if any, the sole remedy of any buyer shall be to return the product along with original sales receipt, at **buyer's expense** for repair (or replacement of the product if repair is impossible) to the manufacturer's facility in the Commonwealth of Massachusetts, located at 22 Hancock Street, Milford, MA 01757. Some states do not allow the exclusion or limitation of any incidental or consequential damages, so the above limitation may not apply to you. Nothing herein contained shall be construed to be a waiver by the manufacturer of any of the obligations imposed upon said buyer under the laws of the Commonwealth of Massachusetts except as herein specifically stated.

This warranty is enforceable only by the buyer of the product or a person in the buyer's immediate family. This warranty is enforceable for a period of **FIVE YEARS** from the date of purchase. Some states do not allow limitations on how long an implied warranty lasts, so the above warranty may not apply to you. This warranty gives you specific legal rights and you may also have other rights which vary from state to state.

Warranty Void if:

- A) Product is altered in any way.
- B) Used for other than its intended use.
- C) Buyer mishandling.