

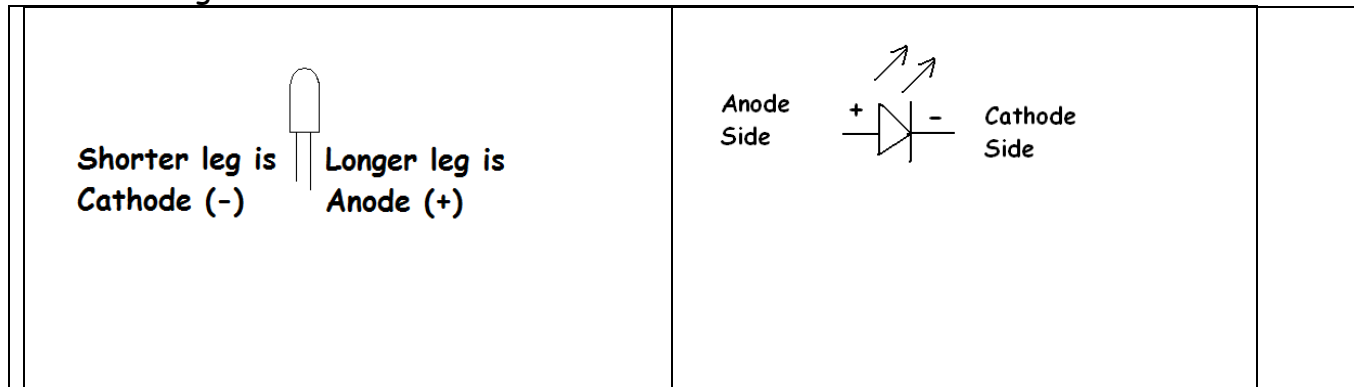
TenaControls Brings Models to Life

## Instructions for Model#: ALPUFO-A, Lighting System for the Alpha Centauri Short Range Saucers made by Pegasus Hobbies

This Control board is completely assembled and tested. The only thing you need to do is connect up the provided led's and Green LED Strip Tape as shown below in the Master Wiring Diagram. Then just plug in the 9 volt battery (**NOT PROVIDED**) into the holder. Hot glue drops on the four sides of the board works well for locking into place. To change the rotational speed of the lower saucer, swipe the enclosed magnet across the Magnetic Momentary Switch.

Items you will need: Soldering Iron, solder, cutter, wire stripper and additional wiring.

How to distinguish a led:

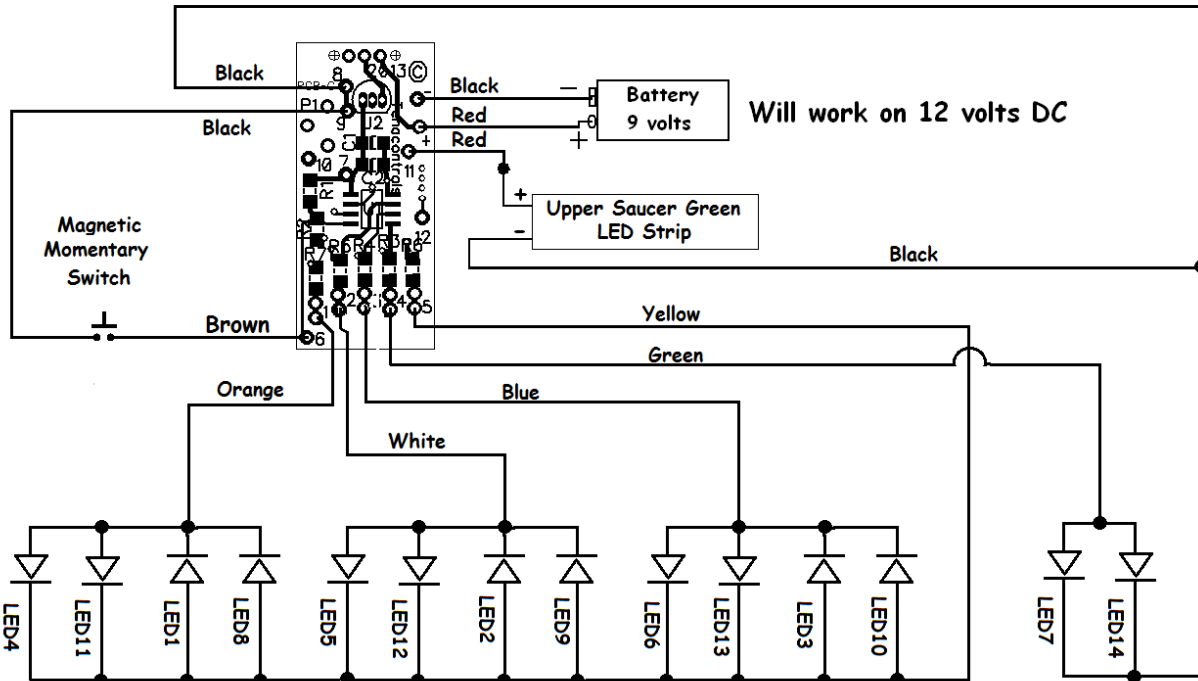


Instructional Video link below:

<https://www.youtube.com/watch?v=Nx22aTudT8c&feature=youtu.be>

TenaControls Brings Models to Life

### Master Wiring Diagram



Please request a digital copy version to see the below pictures in their original color for proper viewing.

TenaControls Brings Models to Life

## Warranty

TenaControls warrants that the control boards sold meet TenaControls specifications and are adequately contained, packaged and labeled and conform to the promises and affirmations of fact made on the container and label. THE FOREGOING WARRANTIES ARE EXCLUSIVE, AND ARE IN LIEU OF ALL OTHER WARRANTIES (WHETHER WRITTEN, ORAL OR IMPLIED) INCLUDING WARRANTY OR MERCHANTABILITY IN OTHER RESPECTS THAN EXPRESSLY SET FORTH ABOVE AND WARRANTY OF FITNESS FOR A PARTICULAR PURPOSE.

In the event that there is a breach of express warranty by the manufacturer made in connection with the purchase of this product, if any, the sole remedy of any buyer shall be to return the product along with original sales receipt, at **buyer's expense** for repair (or replacement of the product if repair is impossible) to the manufacturer's facility in the Commonwealth of Massachusetts, located at 22 Hancock Street, Milford, MA 01757. Some states do not allow the exclusion or limitation of any incidental or consequential damages, so the above limitation may not apply to you. Nothing herein contained shall be construed to be a waiver by the manufacturer of any of the obligations imposed upon said buyer under the laws of the Commonwealth of Massachusetts except as herein specifically stated.

This warranty is enforceable only by the buyer of the product or a person in the buyer's immediate family. This warranty is enforceable for a period of **FIVE YEARS** from the date of purchase. Some states do not allow limitations on how long an implied warranty lasts, so the above warranty may not apply to you. This warranty gives you specific legal rights and you may also have other rights which vary from state to state.

### Warranty Void if:

- A) Product is altered in any way.
- B) Used for other than its intended use.
- C) Buyer mishandling.