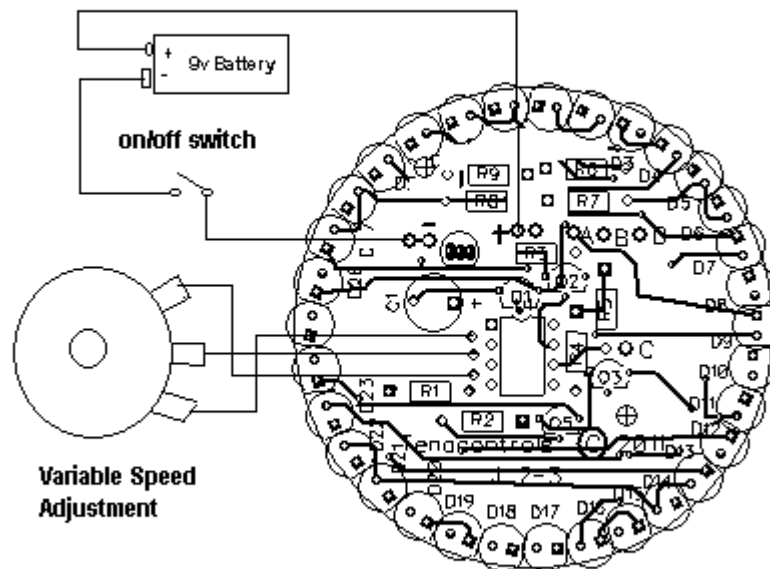


TenaControls Brings Models to Life

Instructions for the Forbidden Planet C-57D model Engine Simulating LED Sequencer

This unit is completely assembled and tested. Just plug in the enclosed 9 volt battery and throw the switch on. Then rotate the variable speed Adjustment potentiometer clock wise to increase speed and counter clock wise to decrease speed. We Have been asked to come up with a device that can simulate the rotating engine of the C-57D Space Cruiser. This will fit into the engine base and give that illusion, the only thing you have to do is paint the vertical lines. Hot glue under the printed circuit works well for locking it in place.

In case you accidentally break one of the wires, the below picture will show you which wire connects to a particular component.



TenaControls Brings Models to Life

Warranty

TenaControls LLC warrants that the goods sold meet Tenacontrols specifications and are adequately contained, packaged and labeled and conform to the promises and affirmations of fact made on the container and label. THE FOREGOING WARRANTIES ARE EXCLUSIVE, AND ARE IN LIEU OF ALL OTHER WARRANTIES (WHETHER WRITTEN, ORAL OR IMPLIED) INCLUDING WARRANTY OR MERCHANTABILITY IN OTHER RESPECTS THAN EXPRESSLY SET FORTH ABOVE AND WARRANTY OF FITNESS FOR A PARTICULAR PURPOSE.

In the event that there is a breach of express warranty by the manufacturer made in connection with the purchase of this product, if any, the sole remedy of any buyer shall be to return the product along with original sales receipt, at **buyer's expense** for repair (or replacement of the product if repair is impossible) to the manufacturer's facility in the Commonwealth of Massachusetts, located at 22 Hancock Street, Milford, MA 01757. Some states do not allow the exclusion or limitation of any incidental or consequential damages, so the above limitation may not apply to you. Nothing herein contained shall be construed to be a waiver by the manufacturer of any of the obligations imposed upon said buyer under the laws of the Commonwealth of Massachusetts except as herein specifically stated.

This warranty is enforceable only by the buyer of the product or a person in the buyer's immediate family. This warranty is enforceable for a period of **FIVE YEARS** from the date of purchase. Some states do not allow limitations on how long an implied warranty lasts, so the above warranty may not apply to you. This warranty gives you specific legal rights and you may also have other rights which vary from state to state.

Warranty Void if:

- A) Product is altered in any way.
- B) Used for other than its intended use.
- C) Buyer mishandling.